



Excellent Integrated System Limited

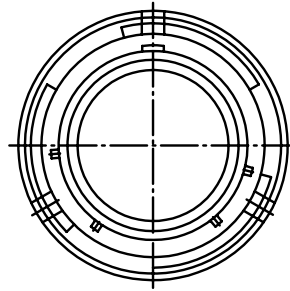
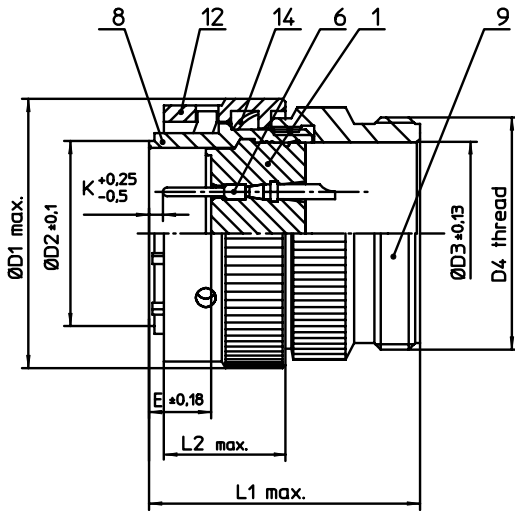
Stocking Distributor

Click to view price, real time Inventory, Delivery & Lifecycle Information:

[ITT Cannon, LLC](#)
[KPT06A12-3P](#)

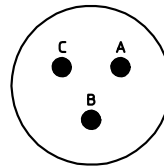
For any questions, you can email us directly:

sales@integrated-circuit.com



| NO. | MASSE / DIMENSION |
|-----|-------------------|
| D1 | 26.5 |
| D2 | 15 |
| D3 | 15.1 |
| D4 | 3/4-20UNEF-2A |
| E | 8.02 |
| K | 2.16 |
| L1 | 37 |
| L2 | 15.9 |

| NO. | BESCHREIBUNG / DESCRIPTION |
|-----|-------------------------------------|
| 1 | ISOLIERKÖRPER STIFT / INSULATOR PIN |
| 6 | KONTAKT STIFT / CONTACT PIN |
| 8 | GEHÄUSE / RECEPTACLE |
| 9 | ENDGEHÄUSE / ENDBELL |
| 12 | ÜBERWURFMUTTER / COUPLING NUT |
| 14 | WELLFEDER / WASHER |



Note: Due to an automatic nomenclature system, numbers generated may not be sequential.
Specification and Dimensions subject to change
Drawings illustrate normal insulator positioning

| Material Specification: | |
|-------------------------|--|
| Shell Material: | Aluminium alloy |
| Shell Plating: | Olive drab chromate over cadmium plating |
| Insulator Material: | Polychloroprene |
| Contact Material: | Copper alloy, gold plated |
| Contact Plating: | Copper alloy, gold plated |

all dimensions are in mm
Dimensions without tolerance indications are general tolerances in acc. with DIN7168m

drawing for
CUSTOMER



description KPT06A123P
Straight plug
General duty
Solder Cup / Pin / Layout: 12-3

© All rights reserved. Reproduction or issue to third in any form
whenever is only permitted with written authorization of ITT Cannon



page 1/1
revision 1013.5, Jul 16