



**Distributor of ITT Cannon, LLC: Excellent Integrated System Limited**

Datasheet of KPT01E12-8PDN - CONN RCPT 8POS W/PIN INLINE

Contact us: [sales@integrated-circuit.com](mailto:sales@integrated-circuit.com) Website: [www.integrated-circuit.com](http://www.integrated-circuit.com)

---

## **Excellent Integrated System Limited**

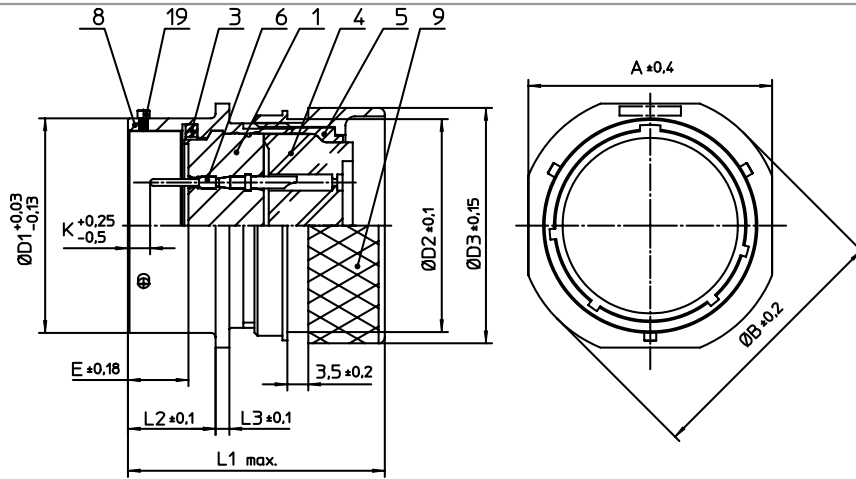
Stocking Distributor

Click to view price, real time Inventory, Delivery & Lifecycle Information:

[ITT Cannon, LLC](#)  
[KPT01E12-8PDN](#)

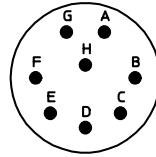
For any questions, you can email us directly:

[sales@integrated-circuit.com](mailto:sales@integrated-circuit.com)



NO.	MASSE / DIMENSION
A	26.15
B	29.3
D1	19.05
D2	21.2
D3	23.6
E	8.25
K	2.16
L1	36
L2	11.6
L3	1.9

NO.	BESCHREIBUNG / DESCRIPTION
1	ISOLIERKÖRPER STIFT / INSULATOR PIN
3	DICHTRING / GASKET
4	DICHTKÖRPER / GROMMET
5	ENDRING / ENDRING
6	KONTAKT STIFT / CONTACT PIN
8	GEHÄUSE / RECEPTACLE
9	DN-ENDGEHÄUSE / DN-ENDBELL
19	BAYONETTSTIFT / BAYONET PIN



Note: Due to an automatic nomenclature system, numbers generated may not be sequential.  
 Specification and Dimensions subject to change  
 Drawings illustrate normal insulator positioning

Material Specification:	
Shell Material:	Aluminium alloy
Shell Plating:	Olive drab chromate over cadmium plating
Insulator Material:	Polychloroprene
Contact Material:	Copper alloy, gold plated
Contact Plating:	Copper alloy, gold plated

all dimensions are in mm  
 Dimensions without tolerance indications are general tolerances in acc. with DIN7168m

drawing for  
 CUSTOMER



description KPT01E128PDN  
 Cable connecting plug  
 Shrink boot adapter  
 Solder Cup / Pin / Layout: 12-8

© All rights reserved. Reproduction or issue to third in any form  
 whoever is only permitted with written authorization of ITT Cannon

page 1/1

revision 1013 5. Jul 16