



## **Excellent Integrated System Limited**

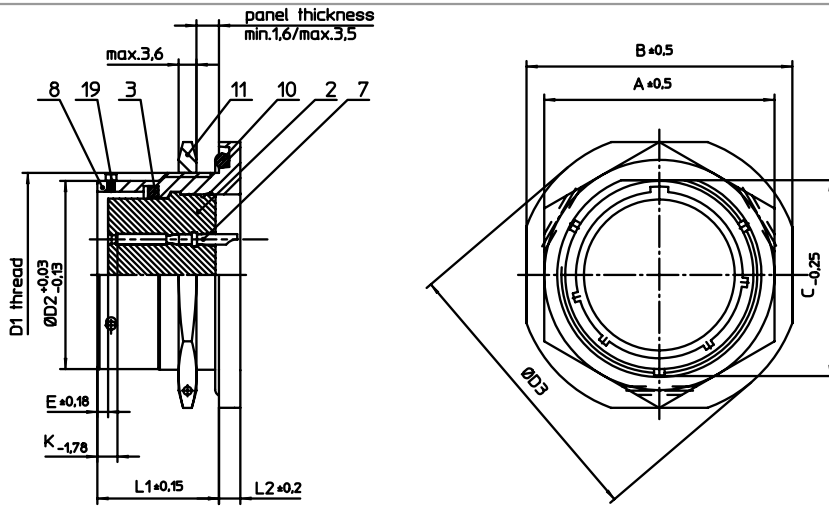
Stocking Distributor

Click to view price, real time Inventory, Delivery & Lifecycle Information:

[ITT Cannon, LLC](#)  
[KPT07A12-10SW](#)

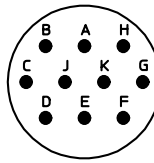
For any questions, you can email us directly:

[sales@integrated-circuit.com](mailto:sales@integrated-circuit.com)




| NO. | MASSE / DIMENSION |
|-----|-------------------|
| A   | 27                |
| B   | 32                |
| C   | 20.75             |
| D1  | 7/8-20UNEF-2A     |
| D2  | 19.05             |
| D3  | 36                |
| E   | 0.46              |
| K   | 3.89              |
| L1  | 17.7              |
| L2  | 3.2               |

| NO. | BESCHREIBUNG / DESCRIPTION              |
|-----|---|
| 2   | ISOLIERKÖRPER BUCHSE / INSULATOR SOCKET |
| 3   | DICHTRING / GASKET                      |
| 7   | KONTAKT BUCHSE / CONTACT SOCKET         |
| 8   | GEHÄUSE / RECEPTACLE                    |
| 10  | O-RING / O-RING                         |
| 11  | SECHSKANTMUTTER / HEX NUT               |
| 19  | BAYONETTSTIFT / BAYONET PIN             |



|  |
|--|
| Note: Due to an automatic nomenclature system, numbers generated may not be sequential.            |
| Specification and Dimensions subject to change<br>Drawings illustrate normal insulator positioning |
| Material Specification:  |
| Shell Material: Aluminium alloy  |
| Shell Plating: Olive drab chromate over cadmium plating  |
| Insulator Material: Polychloroprene  |
| Contact Material: Copper alloy, gold plated  |
| Contact Plating: Copper alloy, gold plated   |

|   |   |
|---|---|
| all dimensions are in mm<br>Dimensions without tolerance indications are general tolerances in acc. with DIN7168m   | drawing for<br>CUSTOMER                     |
|  <p>description <b>KPT07A1210SW</b><br/>Jam nut receptacle<br/>General duty<br/>Solder Cup / Socket / Layout: 12-10</p> |   |
| <p>© All rights reserved. Reproduction or issue to third in any form<br/>whenever is only permitted with written authorization of ITT Cannon</p>  | <p>page 1/1<br/>revision 1013 5. Jul 16</p> |