



Excellent Integrated System Limited

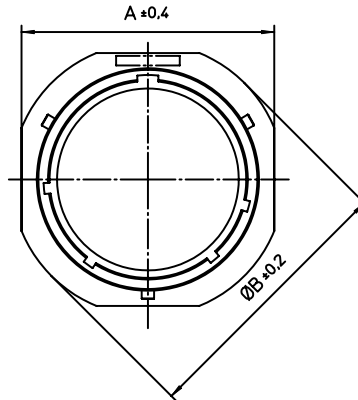
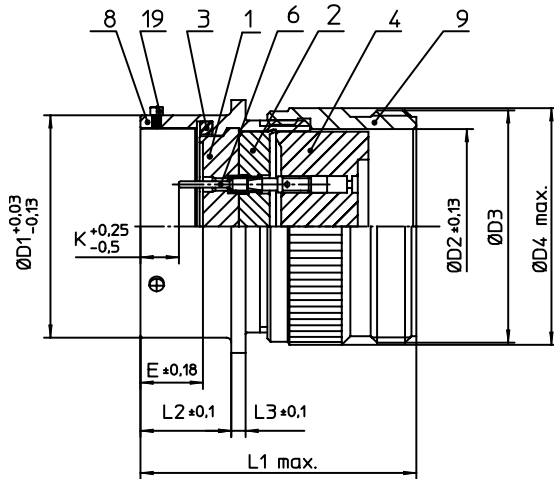
Stocking Distributor

Click to view price, real time Inventory, Delivery & Lifecycle Information:

[ITT Cannon, LLC](#)
[KPSE01A12-3PYF0](#)

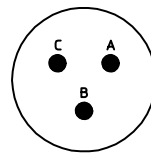
For any questions, you can email us directly:

sales@integrated-circuit.com




| NO. | MASSE / DIMENSION |
|-----|-------------------|
| A | 26.15 |
| B | 29.3 |
| D1 | 19.05 |
| D2 | 15.1 |
| D3 | 3/4-20UNEF-2A |
| D4 | 21.2 |
| E | 8.25 |
| K | 2.16 |
| L1 | 37 |
| L2 | 11.6 |
| L3 | 1.9 |

| NO. | BESCHREIBUNG / DESCRIPTION |
|-----|-------------------------------------|
| 1 | ISOLIERKÖRPER STIFT / INSULATOR PIN |
| 2 | ISOLIERKÖRPER MITTE / WAVER |
| 3 | DICHTRING / GASKET |
| 4 | DICHTKÖRPER / GROMMET |
| 6 | KONTAKT STIFT / CONTACT PIN |
| 8 | GEHÄUSE / RECEPTACLE |
| 9 | ENDGEHÄUSE / ENDBELL |
| 19 | BAYONETTSTIFT / BAYONET PIN |



Note: Due to an automatic nomenclature system, numbers generated may not be sequential.
 Specification and Dimensions subject to change
 Drawings illustrate normal insulator positioning

| Material Specification: | |
|-------------------------|--|
| Shell Material: | Aluminium alloy |
| Shell Plating: | Olive drab chromate over cadmium plating |
| Insulator Material: | Polychloroprene |
| Contact Material: | Copper alloy, gold plated |
| Contact Plating: | Copper alloy, gold plated |

| | | |
|--|-------------|--|
| all dimensions are in mm Dimensions without tolerance indications are general tolerances in acc. with DIN7168m | | drawing for CUSTOMER |
|  ITT Engineered for life ITT CANNON GmbH D-71334 Waiblingen/Germany | description | KPSE01A123PYF0 |
| | | Cable connecting plug General duty Crimp Contacts / Pin / Layout: 12-3 |
| © All rights reserved. Reproduction or issue to third in any form whenever is only permitted with written authorization of ITT Cannon | page 1/1 | revision 1012.5. Jul 16 |