



Excellent Integrated System Limited

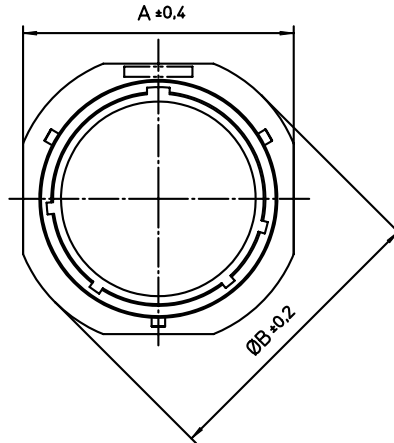
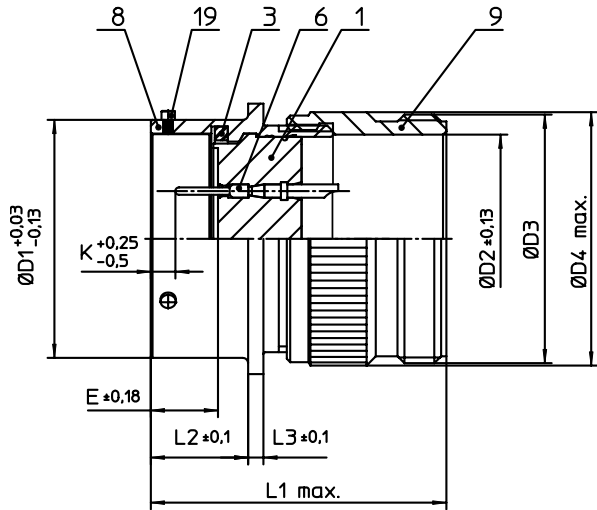
Stocking Distributor

Click to view price, real time Inventory, Delivery & Lifecycle Information:

[ITT Cannon, LLC](#)
[KPT01A16-26P](#)

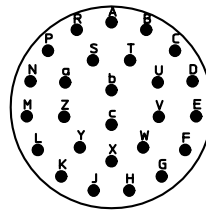
For any questions, you can email us directly:

sales@integrated-circuit.com




| NO. | MASSE / DIMENSION |
|-----|-------------------|
| A | 30.9 |
| B | 34.1 |
| D1 | 25.4 |
| D2 | 21.2 |
| D3 | 1-20UNEF-2A |
| D4 | 27.6 |
| E | 8.25 |
| K | 2.16 |
| L1 | 37 |
| L2 | 11.6 |
| L3 | 1.9 |

| NO. | BESCHREIBUNG / DESCRIPTION |
|-----|-------------------------------------|
| 1 | ISOLIERKÖRPER STIFT / INSULATOR PIN |
| 3 | DICHTRING / GASKET |
| 6 | KONTAKT STIFT / CONTACT PIN |
| 8 | GEHÄUSE / RECEPTACLE |
| 9 | ENDGEHÄUSE / ENDBELL |
| 19 | BAYONETTSTIFT / BAYONET PIN |



| |
|--|
| Note: Due to an automatic nomenclature system, numbers generated may not be sequential. |
| Specification and Dimensions subject to change Drawings illustrate normal insulator positioning |
| Material Specification: |
| Shell Material: Aluminium alloy |
| Shell Plating: Olive drab chromate over cadmium plating |
| Insulator Material: Polychloroprene |
| Contact Material: Copper alloy, gold plated |
| Contact Plating: Copper alloy, gold plated |

| | |
|--|--|
| all dimensions are in mm Dimensions without tolerance indications are general tolerances in acc. with DIN7168m | drawing for CUSTOMER |
|  ITT <i>Engineered for life</i> ITT CANNON GmbH D - 71384 Weinstadt/Germany | description KPT01A1626P Cable connecting plug General duty Solder Cup / Pin / Layout: 16-26 |
| © All rights reserved. Reproduction or issue to third in any form whoever is only permitted with written authorization of ITT Cannon | page 1/1 revision 1013 5. Jul 16 |