



Excellent Integrated System Limited

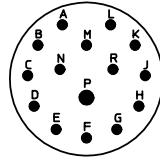
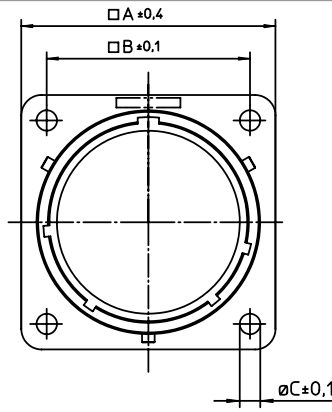
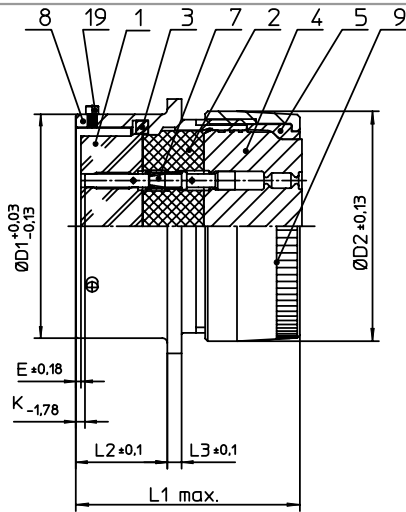
Stocking Distributor

Click to view price, real time Inventory, Delivery & Lifecycle Information:

[ITT Cannon, LLC](#)
[KPSE00E14-15SX](#)

For any questions, you can email us directly:

sales@integrated-circuit.com




NO.	MASSE / DIMENSION
A	28.5
B	23
C	3.2
D1	22.23
D2	23.24
E	0.46
K	3.89
L1	34
L2	11.6
L3	1.9

NO.	BESCHREIBUNG / DESCRIPTION
1	ISOLIERKÖRPER BUCHSE / INSULATOR SOCKET
2	ISOLIERKÖRPER MITTE / WAYER
3	DICHTRING / GASKET
4	DICHTKÖRPER / GROMMET
5	ENDRING / ENDRING
7	KONTAKT BUCHSE / CONTACT SOCKET
8	GEHÄUSE / RECEPTACLE
9	ENDGEHÄUSE / ENDBELL
19	BAYONETTSTIFT / BAYONET PIN

Note: Due to an automatic nomenclature system, numbers generated may not be sequential.
 Specification and Dimensions subject to change
 Drawings illustrate normal insulator positioning

Material Specification:	
Shell Material:	Aluminium alloy
Shell Plating:	Olive drab chromate over cadmium plating
Insulator Material:	Polychloroprene
Contact Material:	Copper alloy, gold plated
Contact Plating:	Copper alloy, gold plated

all dimensions are in mm Dimensions without tolerance indications are general tolerances in acc. with DIN7168m		drawing for CUSTOMER
 Engineered for life ITT CANNON GmbH D-71284 Weinstadt-Germersheim	description KPSE00E1415SX Wall mounting receptacle Grommet seal Crimp Contacts / Socket / Layout: 14-15	
	© All rights reserved. Reproduction or issue in any form whatever is only permitted with written authorization of ITT Cannon	page 1/1