



Excellent Integrated System Limited

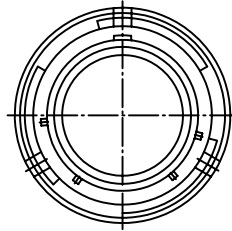
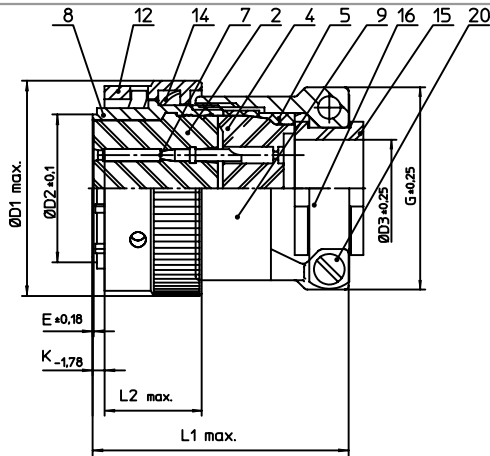
Stocking Distributor

Click to view price, real time Inventory, Delivery & Lifecycle Information:

[ITT Cannon, LLC](#)
[KPT06F18-32SY](#)

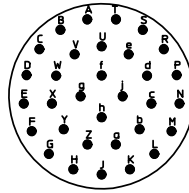
For any questions, you can email us directly:

sales@integrated-circuit.com



| NO. | MASSE / DIMENSION |
|-----|-------------------|
| D1 | 35.4 |
| D2 | 23.9 |
| D | 15.9 |
| E | 0.23 |
| G | 35 |
| K | 3.89 |
| L1 | 58 |
| L2 | 15.9 |

| NO. | BESCHREIBUNG / DESCRIPTION |
|-----|---|
| 2 | ISOLIERKÖRPER BUCHSE / INSULATOR SOCKET |
| 4 | DICHTKÖRPER / GROMMET |
| 5 | ENDRING / ENDRING |
| 7 | KONTAKT BUCHSE / CONTACT SOCKET |
| 8 | GEHÄUSE / RECEPTACLE |
| 9 | ENDGEHÄUSE / ENDBELL |
| 12 | ÜBERWURFMUTTER / COUPLING NUT |
| 14 | WELLFEDER / WASHER |
| 15 | KABELTÜLLE / BUSHING |
| 16 | KABELKLEMME / CABLE CLAMP |
| 20 | ZYLINDER-SCHRAUBE / CYLINDER HEAD SCREW |



Note: Due to an automatic nomenclature system, numbers generated may not be sequential.
Specification and Dimensions subject to change
Drawings illustrate normal insulator positioning

| Material Specification: | |
|-------------------------|--|
| Shell Material: | Aluminium alloy |
| Shell Plating: | Olive drab chromate over cadmium plating |
| Insulator Material: | Polychloroprene |
| Contact Material: | Copper alloy, gold plated |
| Contact Plating: | Copper alloy, gold plated |

all dimensions are in mm
Dimensions without tolerance indications are general tolerances in acc. with DIN7168m

drawing for
CUSTOMER



description KPT06F1832SY
Straight plug
Grommet seal with strain relief
Solder Cup / Socket / Layout: 18-32

© All rights reserved. Reproduction or issue to third in any form
whatever is only permitted with written authorization of ITT Cannon

page 1/1
revision 1013.5, Jul 16