



Excellent Integrated System Limited

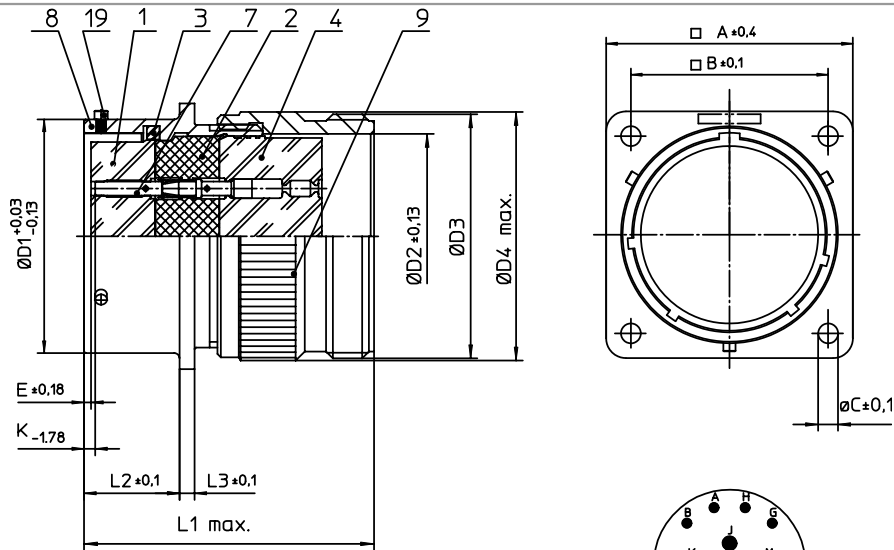
Stocking Distributor

Click to view price, real time Inventory, Delivery & Lifecycle Information:

[ITT Cannon, LLC](#)
[KPSE00A14-12S](#)

For any questions, you can email us directly:

sales@integrated-circuit.com




NO.	MASSE / DIMENSION
A	28.5
B	23
C	3.2
D1	22.23
D2	18
D3	7/8-20UNEF-2A
D4	24.6
E	0.46
K	3.89
L1	37
L2	11.6
L3	1.9

NO.	BESCHREIBUNG / DESCRIPTION
1	ISOLIERKÖRPER BUCHSE / INSULATOR SOCKET
2	ISOLIERKÖRPER MITTE / WAVER
3	DICHTRING / GASKET
4	DICHTKÖRPER / GROMMET
7	KONTAKT BUCHSE / CONTACT SOCKET
8	GEHÄUSE / RECEPTACLE
9	ENDGEHÄUSE / ENDBELL
19	BAYONETTSTIFT / BAYONET PIN

Note: Due to an automatic nomenclature system, numbers generated may not be sequential.
Specification and Dimensions subject to change
Drawings illustrate normal insulator positioning

Material Specification:	
Shell Material:	Aluminium alloy
Shell Plating:	Olive drab chromate over cadmium plating
Insulator Material:	Polychloroprene
Contact Material:	Copper alloy, gold plated
Contact Plating:	Copper alloy, gold plated

all dimensions are in mm Dimensions without tolerance indications are general tolerances in acc. with DIN7168m		drawing for CUSTOMER
 ITT <i>Engineered for life</i> <small>ITT CANNON GmbH D-71334 Winnenden/Germany</small>	description KPSE00A1412S Wall mounting receptacle General duty Crimp Contacts / Socket / Layout: 14-12	
	<small>© All rights reserved. Reproduction or issue in any form whenever is only permitted with written authorization of ITT Cannon</small>	<small>page 1/1</small>