



Excellent Integrated System Limited

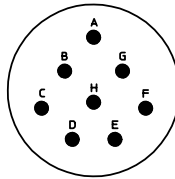
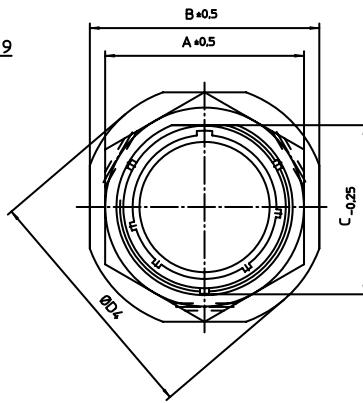
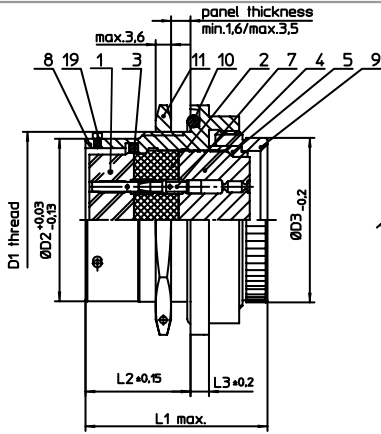
Stocking Distributor

Click to view price, real time Inventory, Delivery & Lifecycle Information:

[ITT Cannon, LLC](#)
[KPSE07E16-8SW](#)

For any questions, you can email us directly:

sales@integrated-circuit.com



NO.	MASSE / DIMENSION
A	33.5
B	38.5
C	27.05
D1	1 1/18-18UNEF-2A
D2	25.4
D3	25.65
D4	42
E	0.46
K	3.89
L1	34
L2	17.7
L3	3.2

NO.	BESCHREIBUNG / DESCRIPTION
1	ISOLIERKÖRPER BUCHSE / INSULATOR SOCKET
2	ISOLIERKÖRPER MITTE / WAVER
3	DICHRING / GASKET
4	DICHTKÖRPER / GROMMET
5	ENDRING / ENDRING
7	KONTAKT BUCHSE / CONTACT SOCKET
8	GEHÄUSE / RECEPTACLE
9	ENDGEHÄUSE / ENDBELL
10	O-RING / O-RING
11	SECHSKANTMUTTER / HEX NUT
19	BAYONETTSTIFT / BAYONET PIN

Note: Due to an automatic nomenclature system, numbers generated may not be sequential.

Specification and Dimensions subject to change
Drawings illustrate normal insulator positioning

Material Specification:

Shell Material:	Aluminium alloy
Shell Plating:	Olive drab chromate over cadmium plating
Insulator Material:	Polychloroprene
Contact Material:	Copper alloy, gold plated
Contact Plating:	Copper alloy, gold plated

all dimensions are in mm

Dimensions without tolerance indications are general tolerances in acc. with DIN7168m

drawing for
CUSTOMER



description: KPSE07E168SW
Jam nut receptacle
Grommet seal
Crimp Contacts / Socket / Layout: 16-8

© All rights reserved. Reproduction or issue in third in any form
whenever is only permitted with written authorization of ITT Cannon



page
1/1

revision

1012.5. Jul 16