



Distributor of ITT Cannon, LLC: Excellent Integrated System Limited

Datasheet of KPT06F22-21PW - CONN PLUG 21POS W/PIN INLINE

Contact us: sales@integrated-circuit.com Website: www.integrated-circuit.com

Excellent Integrated System Limited

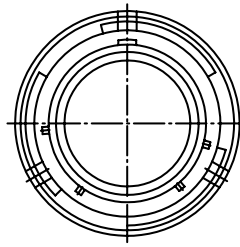
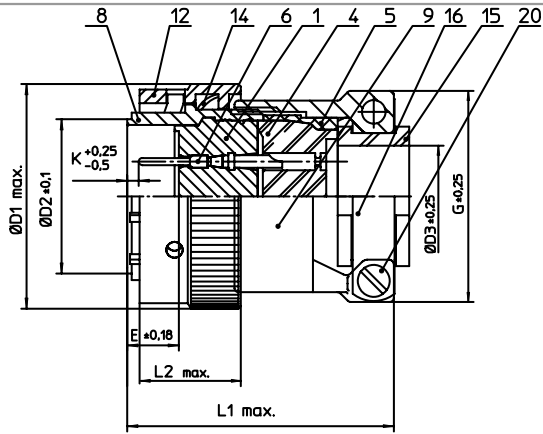
Stocking Distributor

Click to view price, real time Inventory, Delivery & Lifecycle Information:

[ITT Cannon, LLC](#)
[KPT06F22-21PW](#)

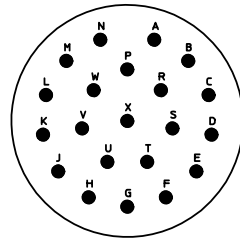
For any questions, you can email us directly:

sales@integrated-circuit.com



NO.	MASSE / DIMENSION
D1	42.1
D2	30.3
D	19
E	8.02
G	39.1
K	3.73
L1	60
L2	15.9

NO.	BESCHREIBUNG / DESCRIPTION
1	ISOLIERKÖRPER STIFT / INSULATOR PIN
4	DICHTKÖRPER / GROMMET
5	ENDRING / ENDRING
6	KONTAKT STIFT / CONTACT PIN
8	GEHÄUSE / RECEPTACLE
9	ENDGEHÄUSE / ENDBELL
12	ÜBERWURFMUTTER / COUPLING NUT
14	WELLFEDER / WASHER
15	KABELTÜLLE / BUSHING
16	KABELKLEMME / CABLE CLAMP
20	ZYLINDER-SCHRAUBE / CYLINDER HEAD SCREW



Note: Due to an automatic nomenclature system, numbers generated may not be sequential.
Specification and Dimensions subject to change
Drawings illustrate normal insulator positioning

Material Specification:	
Shell Material:	Aluminium alloy
Shell Plating:	Olive drab chromate over cadmium plating
Insulator Material:	Polychloroprene
Contact Material:	Copper alloy, gold plated
Contact Plating:	Copper alloy, gold plated

all dimensions are in mm Dimensions without tolerance indications are general tolerances in acc. with DIN7168m		drawing for CUSTOMER
 ITT <i>Engineered for life</i> <small>ITT CANNON GmbH D-21304 Warendorf/Germany</small>	description	KPT06F2221PW
		Straight plug Grommet seal with strain relief Solder Cup / Pin / Layout: 22-21
<small>© All rights reserved. Reproduction or issue to third in any form whenever is only permitted with written authorization of ITT Cannon</small>	 page 1/1	<small>revision</small> 1013.5, Jul 16