



Excellent Integrated System Limited

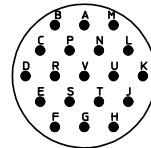
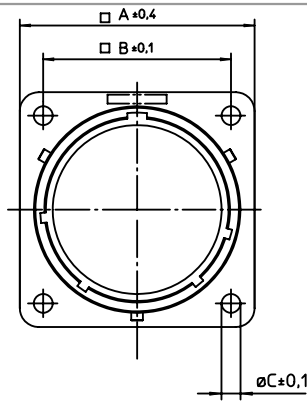
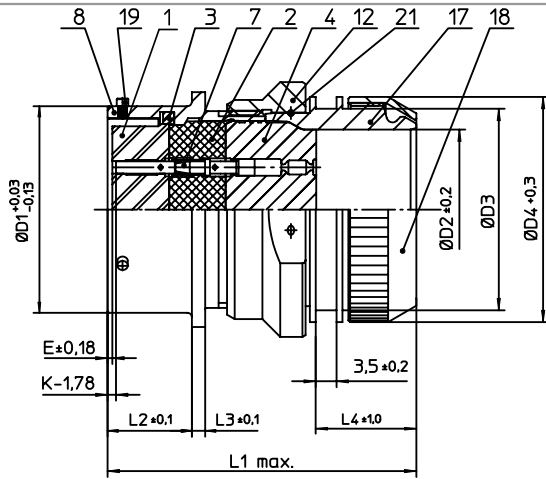
Stocking Distributor

Click to view price, real time Inventory, Delivery & Lifecycle Information:

[ITT Cannon, LLC](#)
[KPSE0E14-19SXDZ](#)

For any questions, you can email us directly:

sales@integrated-circuit.com



NO.	MASSE / DIMENSION
A	28.5
B	23
C	3.2
D1	22.23
D2	15.45
D3	M23X1
D4	25
E	0.46
K	3.89
L1	53
L2	11.6
L3	1.9
L4	18

NO.	BESCHREIBUNG / DESCRIPTION
1	ISOLIERKÖRPER BUCHSE / INSULATOR SOCKET
2	ISOLIERKÖRPER MITTE / WAVER
3	DICHTRING / GASKET
4	DICHTKÖRPER / GROMMET
7	KONTAKT BUCHSE / CONTACT SOCKET
8	GEHÄUSE / RECEPTACLE
12	ÜBERWURFMUTTER / COUPLING NUT
17	ADAPTER / ADAPTER
18	KLEMM-MUTTER / CLAMP NUT
19	BAYONETTSTIFT / BAYONET PIN
21	DRAHT / FIXING WIRE

Note: Due to an automatic nomenclature system, numbers generated may not be sequential.
Specification and Dimensions subject to change
Drawings illustrate normal insulator positioning

Material Specification:
Shell Material: Aluminium alloy
Shell Plating: Olive drab chromate over cadmium plating
Insulator Material: Polychloroprene
Contact Material: Copper alloy, gold plated
Contact Plating: Copper alloy, gold plated

all dimensions are in mm
Dimensions without tolerance indications are general tolerances in acc. with DIN7168m

drawing for
CUSTOMER

ITT
Engineered for life
ITT CANNON GmbH
D-71084 Pfriedrichshafen, Germany

description: KPSE0E1419SX-DZ
Wall mounting receptacle
Endbell for shielding braids and shrink boots
Crimp Contacts / Socket / Layout: 14-19

© All rights reserved. Reproduction or issue to third in any form without prior written authorization of ITT Cannon

page 1/1
revision 1012.5. Jul 16