



Excellent Integrated System Limited

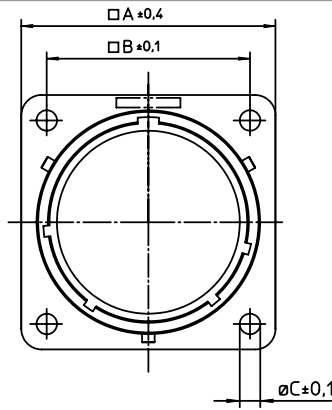
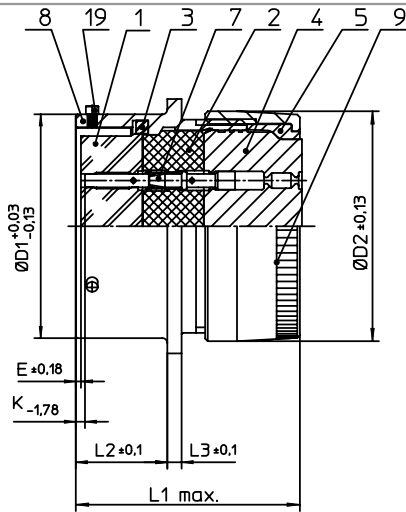
Stocking Distributor

Click to view price, real time Inventory, Delivery & Lifecycle Information:

[ITT Cannon, LLC](#)
[KPSE00E22-55SZ](#)

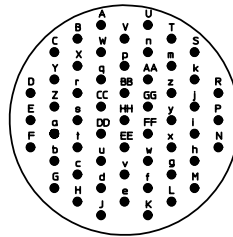
For any questions, you can email us directly:

sales@integrated-circuit.com




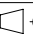
| NO. | MASSE / DIMENSION |
|-----|-------------------|
| A | 39.6 |
| B | 31.7 |
| C | 3.2 |
| D1 | 34.93 |
| D2 | 35.81 |
| E | 2.03 |
| K | 5.46 |
| L1 | 36 |
| L2 | 14.25 |
| L3 | 2.2 |

| NO. | BESCHREIBUNG / DESCRIPTION |
|-----|---|
| 1 | ISOLIERKÖRPER BUCHSE / INSULATOR SOCKET |
| 2 | ISOLIERKÖRPER MITTE / WAYER |
| 3 | DICHTRING / GASKET |
| 4 | DICHTKÖRPER / GROMMET |
| 5 | ENDRING / ENDRING |
| 7 | KONTAKT BUCHSE / CONTACT SOCKET |
| 8 | GEHÄUSE / RECEPTACLE |
| 9 | ENDGEHÄUSE / ENDBELL |
| 19 | BAYONETTSTIFT / BAYONET PIN |



Note: Due to an automatic nomenclature system, numbers generated may not be sequential.
Specification and Dimensions subject to change
Drawings illustrate normal insulator positioning

| Material Specification: | |
|-------------------------|--|
| Shell Material: | Aluminium alloy |
| Shell Plating: | Olive drab chromate over cadmium plating |
| Insulator Material: | Polychloroprene |
| Contact Material: | Copper alloy, gold plated |
| Contact Plating: | Copper alloy, gold plated |

| | | |
|--|---|---|
| all dimensions are in mm Dimensions without tolerance indications are general tolerances in acc. with DIN7168m | | drawing for CUSTOMER |
|  ITT <i>Engineered for life</i> <small>ITT CANNON GmbH D-71284 Weinstadt, Germany</small> | description KPSE00E2255SZ Wall mounting receptacle Grommet seal Crimp Contacts / Socket / Layout: 22-55 | |
| | <small>© All rights reserved. Reproduction or issue in any form whenever is only permitted with written authorization of ITT Cannon</small> |  |