



**Distributor of ITT Cannon, LLC: Excellent Integrated System Limited**

Datasheet of KPT08A18-32P - CONN PLUG 32POS W/PIN INLINE R/A

Contact us: [sales@integrated-circuit.com](mailto:sales@integrated-circuit.com) Website: [www.integrated-circuit.com](http://www.integrated-circuit.com)

---

## **Excellent Integrated System Limited**

Stocking Distributor

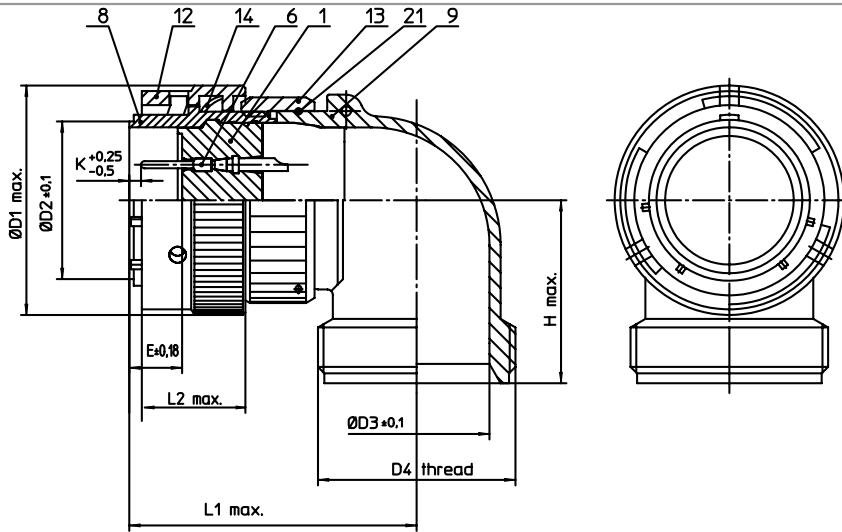
Click to view price, real time Inventory, Delivery & Lifecycle Information:

[ITT Cannon, LLC](#)

[KPT08A18-32P](#)

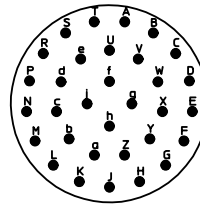
For any questions, you can email us directly:

[sales@integrated-circuit.com](mailto:sales@integrated-circuit.com)





NO.	MASSE / DIMENSION
D1	35.4
D2	23.9
D3	22.2
D4	1 3/16-18UNEF-2A
E	8.02
H	28.1
K	3.89
L1	44.7
L2	15.9

NO.	BESCHREIBUNG / DESCRIPTION
1	ISOLIERKÖRPER STIFT / INSULATOR PIN
6	KONTAKT STIFT / CONTACT PIN
8	GEHÄUSE / RECEPTACLE
9	ENDGEHÄUSE / ENDBELL
12	ÜBERWURFMUTTER / COUPLING NUT
13	ÜBERWURFMUTTER F. ENDGEH. / COUPLING NUT
14	WELLFEDER / WASHER
21	DRAHT / FIXING WIRE



Note:	Due to an automatic nomenclature system, numbers generated may not be sequential.
	Specification and Dimensions subject to change Drawings illustrate normal insulator positioning
Material Specification:	
Shell Material:	Aluminium alloy
Shell Plating:	Olive drab chromate over cadmium plating
Insulator Material:	Polychloroprene
Contact Material:	Copper alloy, gold plated
Contact Plating:	Copper alloy, gold plated

all dimensions are in mm Dimensions without tolerance indications are general tolerances in acc. with DIN7168m		drawing for CUSTOMER
 Engineered for life ITT CANNON GmbH D-71334 Wernau/Germany	description	KPT08A1832P
		Plug with 90° termination General duty Solder Cup / Pin / Layout: 18-32
© All rights reserved. Reproduction or issue to third in any form who ever is only permitted with written authorization of ITT Cannon	 page 1/1	revision 1013 5. Jul 16