



Excellent Integrated System Limited

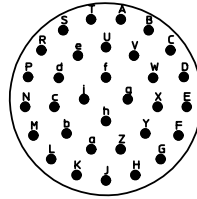
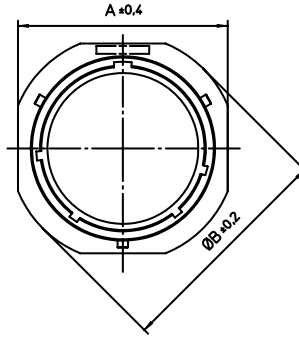
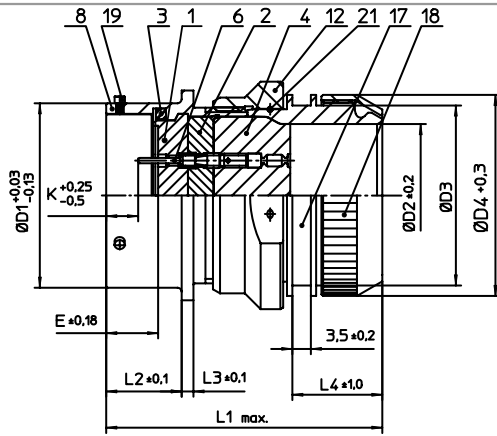
Stocking Distributor

Click to view price, real time Inventory, Delivery & Lifecycle Information:

[ITT Cannon, LLC](#)
[KPSE01E18-32PDZ](#)

For any questions, you can email us directly:

sales@integrated-circuit.com



| NO. | MASSE / DIMENSION |
|-----|-------------------|
| A | 33.3 |
| B | 36.5 |
| D1 | 28.58 |
| D2 | 20.65 |
| D3 | M30X1 |
| D4 | 32 |
| E | 8.25 |
| K | 2.16 |
| L1 | 53 |
| L2 | 11.6 |
| L3 | 1.9 |
| L4 | 18 |

| NO. | BESCHREIBUNG / DESCRIPTION |
|-----|-------------------------------------|
| 1 | ISOLIERKÖRPER STIFT / INSULATOR PIN |
| 2 | ISOLIERKÖRPER MITTE / WAYER |
| 3 | DICHTRING / GASKET |
| 4 | DICHTKÖRPER / GROMMET |
| 6 | KONTAKT STIFT / CONTACT PIN |
| 8 | GEHÄUSE / RECEPTACLE |
| 12 | ÜBERWURFMUTTER / COUPLING NUT |
| 17 | ADAPTER / ADAPTER |
| 18 | KLEMM-MUTTER / CLAMP NUT |
| 19 | BAYONETTSTIFT / BAYONET PIN |
| 21 | DRAHT / FIXING WIRE |

Note: Due to an automatic nomenclature system, numbers generated may not be sequential.

Specification and Dimensions subject to change
Drawings illustrate normal insulator positioning

Material Specification:

| | |
|---------------------|--|
| Shell Material: | Aluminium alloy |
| Shell Plating: | Olive drab chromate over cadmium plating |
| Insulator Material: | Polychloroprene |
| Contact Material: | Copper alloy, gold plated |
| Contact Plating: | Copper alloy, gold plated |

all dimensions are in mm

Dimensions without tolerance indications are general tolerances in acc. with DIN7168m

drawing for
CUSTOMER



description
KPSE01E1832P-DZ
Cable connecting plug
Endbell for shielding braids and shrink boots
Crimp Contacts / Pin / Layout: 18-32

© All rights reserved. Reproduction or issue to third in any form
whoever is only permitted with written authorization of ITT Cannon



page 1/1
revision 1012.5. Jul 16