



Distributor of ITT Cannon, LLC: Excellent Integrated System Limited

Datasheet of KPSE08F10-6SW - CONN PLUG 6POS CBL MNT W/SKTS

Contact us: sales@integrated-circuit.com Website: www.integrated-circuit.com

Excellent Integrated System Limited

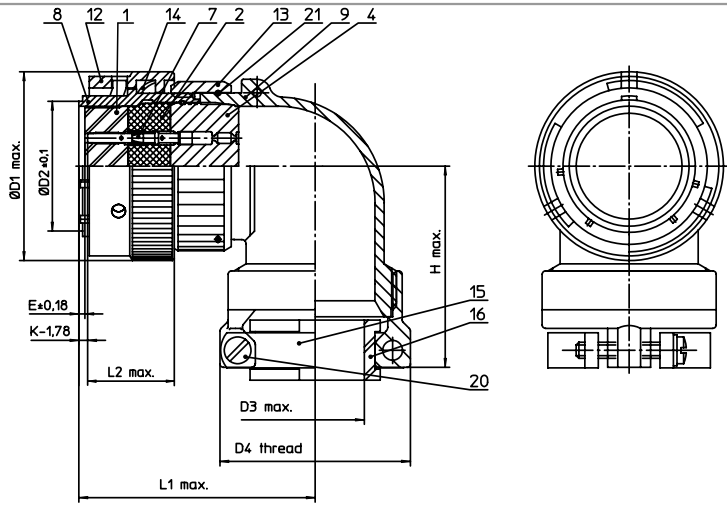
Stocking Distributor

Click to view price, real time Inventory, Delivery & Lifecycle Information:

[ITT Cannon, LLC](#)
[KPSE08F10-6SW](#)

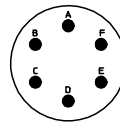
For any questions, you can email us directly:

sales@integrated-circuit.com



NO.	MASSE / DIMENSION
D1	23.6
D2	12.2
D3	8.1
E	0.23
G	22.2
H	32
K	3.89
L1	38.3
L2	15.9

NO.	BESCHREIBUNG / DESCRIPTION
1	ISOLIERKÖRPER BUCHSE / INSULATOR SOCKET
2	ISOLIERKÖRPER MITTE / WAYER
7	KONTAKT BUCHSE / CONTACT SOCKET
8	GEHÄUSE / RECEPTACLE
9	ENDGEHÄUSE / ENDBELL
12	ÜBERWURFMUTTER / COUPLING NUT
13	ÜBERWURFMUTTER F. ENDGEH. / COUPLING NUT
14	WELLFEDER / WASHER
15	KABELTÜLLE / BUSHING
16	KABELKLEMME / CABLE CLAMP
20	ZYLINDER-SCHRAUBE / CYLINDER HEAD SCREW
21	DRAHT / FIXING WIRE



Note: Due to an automatic nomenclature system, numbers generated may not be sequential.
Specification and Dimensions subject to change
Drawings illustrate normal insulator positioning

Material Specification:	
Shell Material:	Aluminium alloy
Shell Plating:	Olive drab chromate over cadmium plating
Insulator Material:	Polychloroprene
Contact Material:	Copper alloy, gold plated
Contact Plating:	Copper alloy, gold plated

all dimensions are in mm		Dimensions without tolerance indications are general tolerances in acc. with DIN 7168mm	drawing for
 ITT CANNON GROUP Engineered for life 7106 WeisshofGermany		description KPSE08F106SW Plug with 90° termination Grommet seal with strain relief Crimp Contacts / Socket / Layout: 10-6	CUSTOMER
© All rights reserved. Reproduction or use in any form without written authorization of ITT Cannon		page 1/1 revision 10125_Jul 16	