



## **Excellent Integrated System Limited**

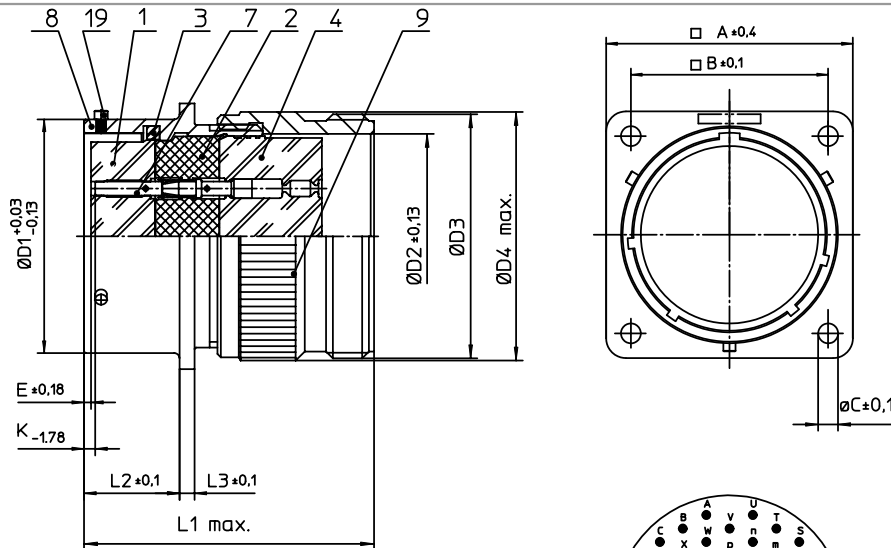
Stocking Distributor

Click to view price, real time Inventory, Delivery & Lifecycle Information:

[ITT Cannon, LLC](#)  
[KPSE00A22-55S](#)

For any questions, you can email us directly:

[sales@integrated-circuit.com](mailto:sales@integrated-circuit.com)




NO.	MASSE / DIMENSION
A	39.6
B	31.7
C	3.2
D1	34.93
D2	30.6
D3	17/16-18UNEF-2A
D4	37.1
E	2.03
K	5.46
L1	44
L2	14.2
L3	2.2

NO.	BESCHREIBUNG / DESCRIPTION
1	ISOLIERKÖRPER BUCHSE / INSULATOR SOCKET
2	ISOLIERKÖRPER MITTE / WAYER
3	DICHTRING / GASKET
4	DICHTKÖRPER / GROMMET
7	KONTAKT BUCHSE / CONTACT SOCKET
8	GEHÄUSE / RECEPTACLE
9	ENDGEHÄUSE / ENDBELL
19	BAYONETTSTIFT / BAYONET PIN

Note: Due to an automatic nomenclature system, numbers generated may not be sequential.  
Specification and Dimensions subject to change  
Drawings illustrate normal insulator positioning

Material Specification:	
Shell Material:	Aluminium alloy
Shell Plating:	Olive drab chromate over cadmium plating
Insulator Material:	Polychloroprene
Contact Material:	Copper alloy, gold plated
Contact Plating:	Copper alloy, gold plated

all dimensions are in mm Dimensions without tolerance indications are general tolerances in acc. with DIN7168m		drawing for CUSTOMER
 <b>ITT</b> <i>Engineered for life</i> <small>ITT CANNON GmbH D-71334 Winstedten/Germany</small>	description KPSE00A2255S Wall mounting receptacle General duty Crimp Contacts / Socket / Layout: 22-55	
	<small>© All rights reserved. Reproduction or issue in any form whenever is only permitted with written authorization of ITT Cannon</small>	<small>page 1/1</small>