



Excellent Integrated System Limited

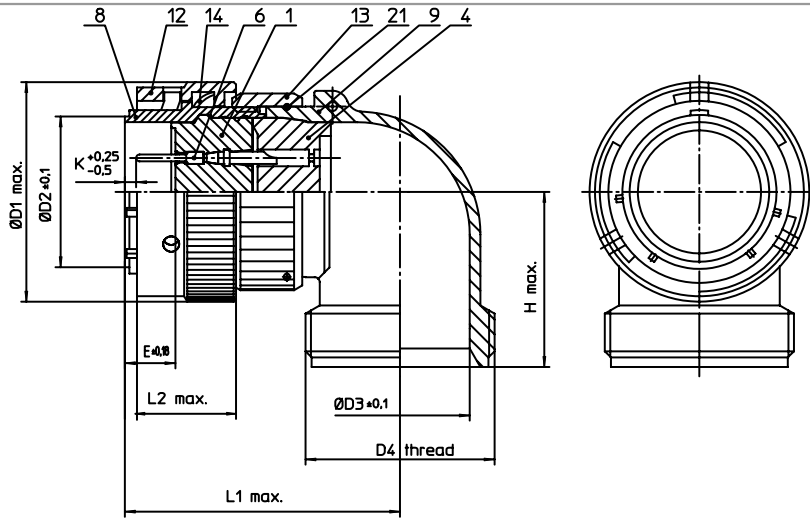
Stocking Distributor

Click to view price, real time Inventory, Delivery & Lifecycle Information:

[ITT Cannon, LLC](#)
[KPT08E22-36P](#)

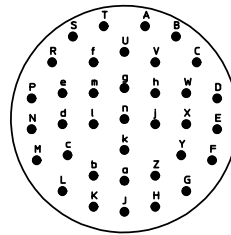
For any questions, you can email us directly:

sales@integrated-circuit.com




| NO. | MASSE / DIMENSION |
|-----|-------------------|
| D1 | 42.1 |
| D2 | 30.3 |
| D3 | 26.4 |
| D4 | 1 7/16-18UNEF-2A |
| E | 8.02 |
| H | 31.7 |
| K | 5.46 |
| L1 | 52.1 |
| L2 | 15.9 |

| NO. | BESCHREIBUNG / DESCRIPTION |
|-----|--|
| 1 | ISOLIERKÖRPER STIFT / INSULATOR PIN |
| 4 | DICHTKÖRPER / GROMMET |
| 6 | KONTAKT STIFT / CONTACT PIN |
| 8 | GEHÄUSE / RECEPTACLE |
| 9 | ENDGEHÄUSE / ENDBELL |
| 12 | ÜBERWURFMUTTER / COUPLING NUT |
| 13 | ÜBERWURFMUTTER F. ENDGEH. / COUPLING NUT |
| 14 | WELLFEDER / WASHER |
| 21 | DRAHT / FIXING WIRE |



Note: Due to an automatic nomenclature system, numbers generated may not be sequential.
Specification and Dimensions subject to change
Drawings illustrate normal insulator positioning

| Material Specification: | |
|-------------------------|--|
| Shell Material: | Aluminium alloy |
| Shell Plating: | Olive drab chromate over cadmium plating |
| Insulator Material: | Polychloroprene |
| Contact Material: | Copper alloy, gold plated |
| Contact Plating: | Copper alloy, gold plated |

| all dimensions are in mm Dimensions without tolerance indications are general tolerances in acc. with DIN7168m | | drawing for CUSTOMER |
|--|--|---|
|  ITT <i>Engineered for Life</i> <small>ITT CANNON GMBH D-71364 Weinstadt, Germany</small> | description KPT08E2236P Plug with 90° termination Grommet seal Solder Cup / Pin / Layout: 22-36 | |
| | <small>© All rights reserved. Reproduction or issue to third in any form whenever is only permitted with written authorization of ITT Cannon</small> | page 1/1 revision 1013 5. Jul 16 |