



Distributor of BUD Industries, Inc.: Excellent Integrated System Limited

Datasheet of IPS-3917 - BOX ALUM NATURAL 7.87"L X 5.91"W

Contact us: sales@integrated-circuit.com Website: www.integrated-circuit.com

Excellent Integrated System Limited

Stocking Distributor

Click to view price, real time Inventory, Delivery & Lifecycle Information:

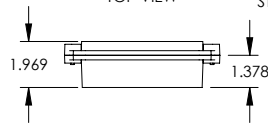
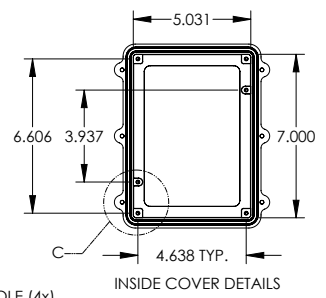
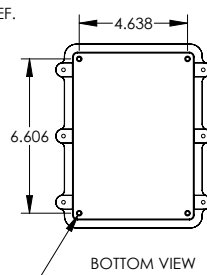
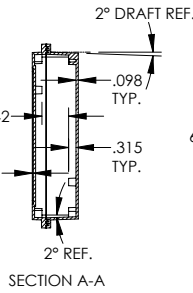
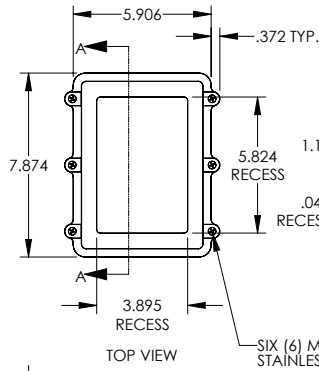
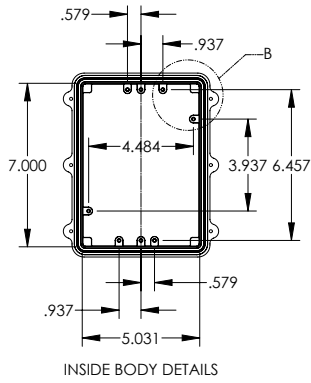
[BUD Industries, Inc.](#)

[IPS-3917](#)

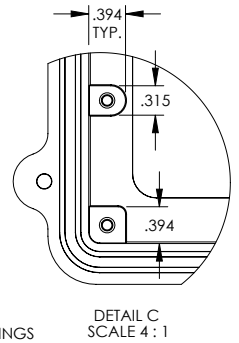
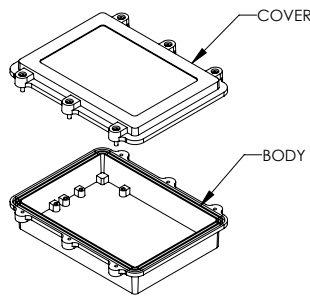
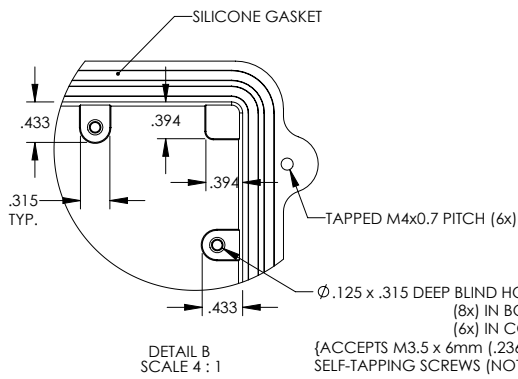
For any questions, you can email us directly:

sales@integrated-circuit.com

PART NAME	IP67 SERIES NEMA DIE CAST ALUMINUM BOX	PART No.	IPS-3917	REVISION DATE	1/21/2011
-----------	--	----------	----------	---------------	-----------



SIX (6) M4x0.7 PITCH x 20mm (.787") LG. STAINLESS STEEL CAPTIVE SCREWS
 {ACCEPTS M5 x 10mm (.394") LG. SELF-TAPPING SCREWS (NOT SUPPLIED)}



MEETS NEMA 1, 2, 4, 4X, 12, 13 AND IP67 RATINGS
 MATERIAL - ALUMINUM ALLOY ADC-12
 FINISH - NATURAL
 TOLERANCES: ALL HOLE DIAMETERS ±.005
 ALL OTHER DIMENSIONS ±.015