

Excellent Integrated System Limited

Stocking Distributor

Click to view price, real time Inventory, Delivery & Lifecycle Information:

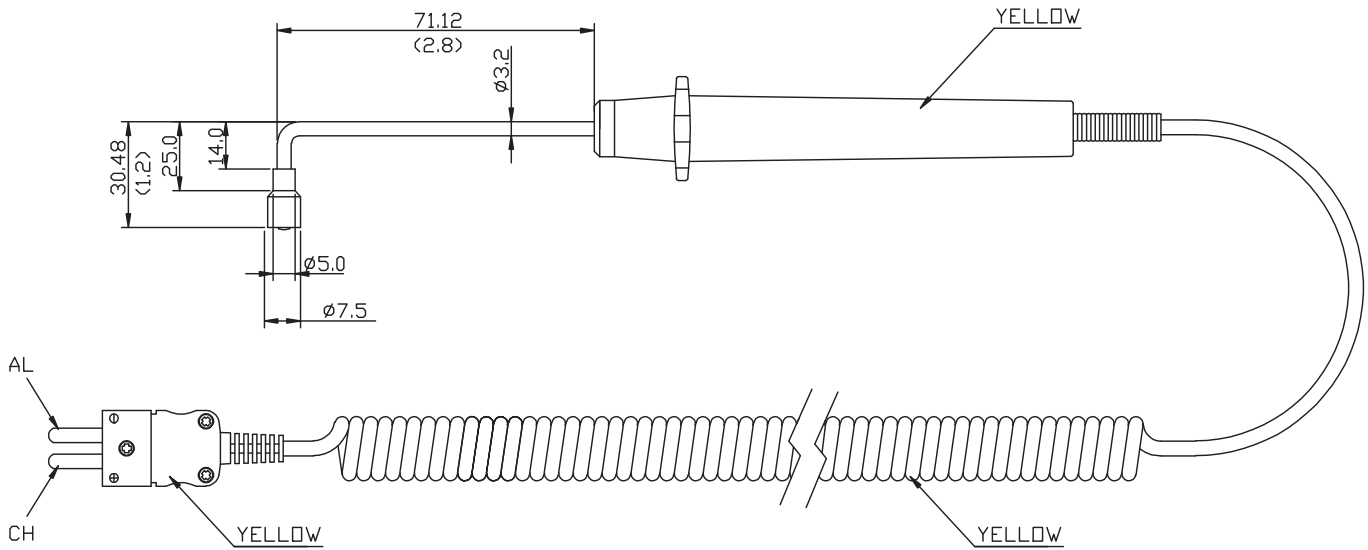
[Test Products International \(TPI\)](#)

[CK12M](#)

For any questions, you can email us directly:

sales@integrated-circuit.com

TYPE	SENSOR	CONNECTOR	RANGE	STEM LENGTH	DIAMETER	LEAD LENGTH	MATERIAL
CONTACT(SURFACE)	K-TYPE	SUB-MINI	-50C TO 250C	2.8/1.2inch	3.2m/m	1 meter	CH(+), AL(-)



mm
 (inch)

Copyright © 2007 Test Products International, Inc.

Part Number: CK12M
Date: 10/03/07