

Excellent Integrated System Limited

Stocking Distributor

Click to view price, real time Inventory, Delivery & Lifecycle Information:

[FCI](#)
[20020003-G021B01LF](#)

For any questions, you can email us directly:

sales@integrated-circuit.com



1 | 2

FCIconnect.com

3 |

4

PRODUCT NUMBER
20020003-XXXXXXLF

20020003-□ □ □ □ □ ○ □ LF

PITCH
G: 5.00mm
H: 5.08mm

POLES
02: 2 POLES
03: 3 POLES
04: 4 POLES
24: 24 POLES

LF : DENOTED RoHS COMPATIBLE

1 : STANDARD PRODUCT
W/ BOX PACKING

SCREW CODE

CODE	SCREW TYPE	AVAILABILITY
A	-/+	ON REQUEST ONLY
B	-	STANDARD

ALL FLANGE SCREWS ARE ONLY AVAILABLE IN +/- COMBINATION SCREW TYPES.

PROPERTY TABLE				
FCI SERIES NAME	01-500	01-508		
PITCH (mm)	5.00	5.08		
VOLTAGE RATING (VAC)	300	300		
CURRENT RATING (A)	12	12		
APPLICABLE WIRE RANGE (AWG)	1-WIRE	12~24		
	2-WIRE	18		
WIRE CROSS SECTION (mm ²)	SOLID	1-WIRE	2.5	2.5
		2-WIRE	1.0	1.0
	STRANDED	1-WIRE	2.5	2.5
		2-WIRE	1.5	1.5
OPENING CONTACT HOUSING(mm ²)	2.6x3.2	2.6x3.2		
WIRE STRIP LENGTH(mm)	7~8	7~8		
TORQUE +/-10% (N-m/Lb-in)	0.57/5.0	0.57/5.0		
SCREW	M3x0.5	M3x0.5		
WITHSTANDING VOLTAGE (kV)	1.6	1.6		
OPERATING TEMP. (°C)	-40~+115	-40~+115		
POLES AVAILABLE	02~24	02~24		
SAFETY CERTIFICATE				

HOUSING CODE

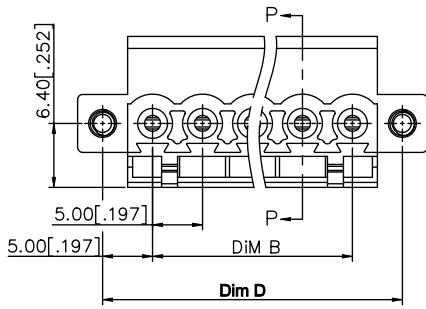
CODE	COLOR	AVAILABILITY
1	GREEN(RAL 6018/T)	STANDARD
2	BLACK	ON REQUEST ONLY
3	GREY(RAL 7004/P)	ON REQUEST ONLY
4	BLUE(RAL 5015/A)	ON REQUEST ONLY

NOTES:

- MATERIALS
1-1 HOUSING: THERMALPLASTIC RESIN, UL 94V-0 RATED.
1-2 SCREW AND FLANGE SCREW: STEEL, ZINC PLATED.
1-3 CLAMP: COPPER ALLOY, NICKEL PLATED.
1-4 TERMINAL: COPPER ALLOY, TIN PLATED.
- PRODUCT SPECIFICATION REFER TO FCI GS-12-625.
- BOXED PACKAGING,
DETAILED PRODUCT PACKING SPECIFICATION REFER TO FCI GS-14-1394.
- FCI, SAFETY CERTIFICATE LOGO AND SERIES NAME TO BE SHOWN ON PRODUCT SURFACE.
- THE PRODUCTS WHERE THE PART NUMBER END IN "LF" MEET THE EUROPEAN UNION DIRECTIVE AND OTHER COUNTRY REGULATIONS AS DESCRIBED IN GS-22-008.

mat'l. code	surface ASME Y14.5	tolerance ASME Y14.5	projection	product family
A T10-0062 WL 050710	tolerances unless otherwise specified	X.±0.5[.020]	MM	TERMINAL BLOCK
B T10-0127 WL 080910	angles	X.X±0.3[.012]	[INCH]	TERMINAL BLOCK PLUGGABLE, PLUG, SIGNAL, W/FLANGE CONTACT UP SIDE
C T10-0155 WL 093010	X'±1'	X.XX±0.1[.004]	scale	dwg no 20020003 sheet 1 of 3 size A4
D T10-0187 WL 121410	dr	WENDY CHEN 042310		type CUSTOMER Drawing
E T-004860 WL 080411	enrg	JASON HSU 042310		
	chr	GARY HSIEH 042310		
	appd	JOSEPH HSIA 042310		
sheet index	revision sheet	E 1 E 2 E 3		

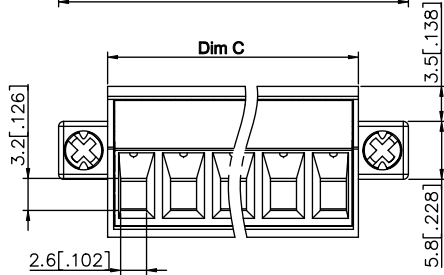
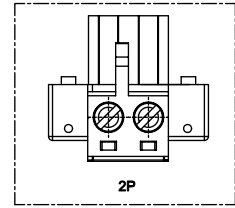
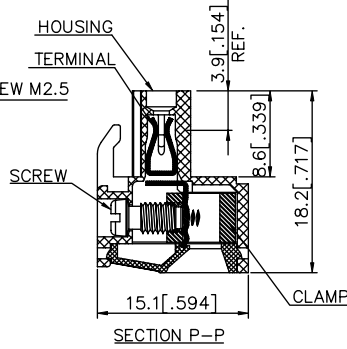
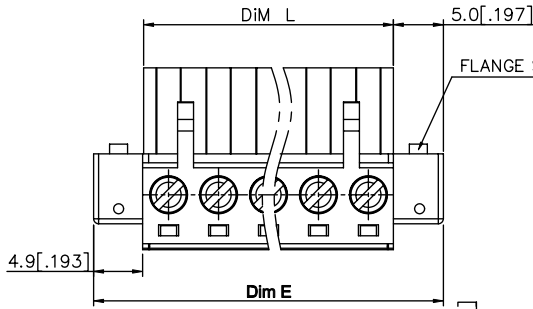
PRODUCT NUMBER	SERIES NAME	PITCH
20020003-GXXXXXL	01-500	5.00 mm



N= NUMBER OF POLES

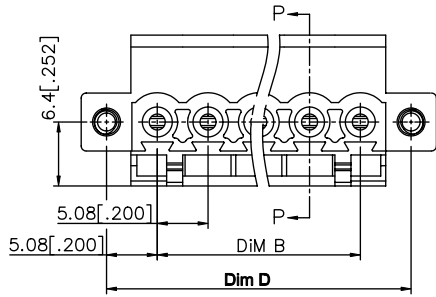
Dim L	$N \times 5.0 [±.197]$
Dim B	$(N-1) \times 5.0 [±.197]$
Dim C	$N \times 5.0 [±.197] + 0.10 [±.004]$
Dim D	$(N+1) \times 5.0 [±.197]$
Dim E	$(N+2) \times 5.0 [±.197]$

Poles	Tolerance
2P-5P	$±0.15 [±.006]$
6P-10P	$±0.20 [±.008]$
11P-15P	$±0.25 [±.010]$
16P-20P	$±0.30 [±.012]$
21P-24P	$±0.40 [±.016]$



mat'l. code	surface ASME Y14.5 ✓	tolerance ASME Y14.5	projection	product family
ltr	tolerances unless otherwise specified		MM	TERMINAL BLOCK
ec	angles	$X.±0.5 [±.020]$	INCH	title
no	$X'±1'$	$X.X±0.3 [±.012]$	scale	TERMINAL BLOCK
dr	dr WENDY CHEN 042310	$X.XX±0.1 [±.004]$		PLUGGABLE, PLUG, SIGNAL, W/FLANGE
engr	engr JASON HSU 042310			CONTACT UP SIDE
chr	chr GARY HSIEH 042310			dwg no
appd	appd JOSEPH HSIA 042310			20020003
sheet	revision			sheet 2 of 3
index	sheet			size A4
				type CUSTOMER Drawing

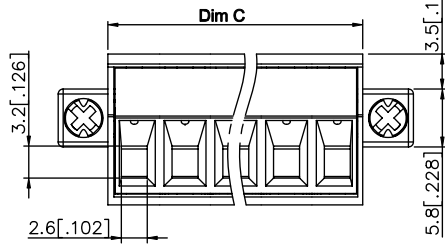
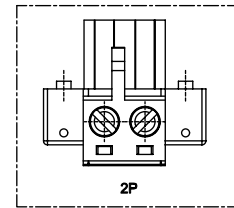
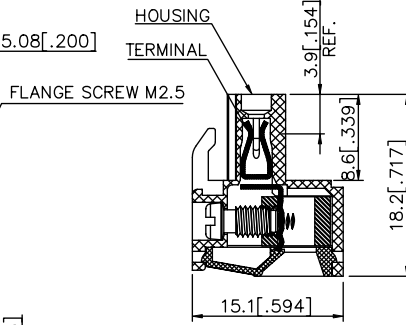
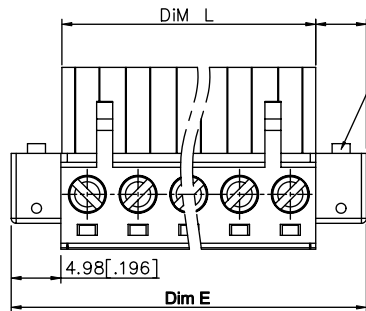
PRODUCT NUMBER	SERIES NAME	PITCH
20020003-HXXXXXLF	01-508	5.08 mm



N= NUMBER OF POLES

Dim L	Nx5.08 [.200]
Dim B	(N-1)x5.08 [.200]
Dim C	Nx5.08 [.200]+0.10 [.004]
Dim D	(N+1)x5.08 [.200]
Dim E	(N+2)x5.08 [.200]

Poles	Tolerance
2P-5P	±0.15 [.006]
6P-10P	±0.20 [.008]
11P-15P	±0.25 [.010]
16P-20P	±0.30 [.012]
21P-24P	±0.40 [.016]



mat'l. code	surface ASME Y14.5	tolerance ASME Y14.5	projection	product family
ltr	ecn	no	dr	date
E				
angles		X.±0.5 [.020]	MM	title
X'±1'		X.X±0.3 [.012]	INCH	TERMINAL BLOCK
		X.XX±0.1 [.004]	scale	PLUGGABLE, PLUG, SIGNAL, W/FLANGE
dr		WENDY CHEN 042310		CONTACT UP SIDE
enfr		JASON HSU 042310		dwg no
chr		GARY HSIEH 042310		20020003
appd		JOSEPH HSIA 042310		sheet 3 of 3 size
sheet index				A4
revision sheet				type
				CUSTOMER Drawing