

Excellent Integrated System Limited

Stocking Distributor

Click to view price, real time Inventory, Delivery & Lifecycle Information:

[Phoenix Contact](#)
[1501618](#)

For any questions, you can email us directly:

sales@integrated-circuit.com



Extract from the online catalog

SACC-E-M12FS-4CON-M16/0,5


This product has been replaced by a newer version.

Order No.: 1501618



<http://eshop.phoenixcontact.de/phoenix/treeViewClick.do?UID=1501618>

Sensor/Actuator flush-type socket, 4-pos., M12, A-coded, front/screw mounting with M16 thread, with 0.5 m TPE litz wire, 4 x 0.34 mm²

Commercial data	
GTIN (EAN)	 4 017918 821456
Note	Made-to-order
sales group	D125
Pack	1 pcs.
Customs tariff	85366990
Catalog page information	Page 20 (PC-2007)

Product notes

WEEE/RoHS-compliant since:
02/22/2006



<http://www.download.phoenixcontact.com>
Please note that the data given here has been taken from the online catalog. For comprehensive information and data, please refer to the user documentation. The General Terms and Conditions of Use apply to Internet downloads.

Technical data	
General data	
Rated current at 40°C	4 A
Rated voltage	250 V
Number of positions	4
Volume resistance	≤ 3 mΩ

SACC-E-M12FS-4CON-M16/0,5 Order No.: 1501618

<http://eshop.phoenixcontact.de/phoenix/treeViewClick.do?UID=1501618>

Insulation resistance	≥ 100 MΩ
Length of cable	0.5 m
Ambient temperature (operation)	-25 °C ... 85 °C (Male connector / female connector)

General characteristics

Coding	A - standard
Surge voltage category	II
Pollution degree	3
Degree of protection	IP67
Contact material	CuZn
Contact surface material	Au
Contact carrier material	PA66 GF
Material, knurls	Zinc die-cast, (nickel-plated)
Sealing material	NBR
Mounting type	Front mounting M16 x 1.5
Type of connection	Individual wires
Status display	No

Conductor data

Cable type	TPE litz wire
Conductor cross section	0.34 mm ²
AWG signal line	22
Conductor structure signal line	7x 0.25 mm
Core diameter including insulation	1.2 mm ±0.07 mm
Thickness, insulation	0.21 mm
Wire colors	Black, brown, blue, white
Insulation resistance	≥ 20 MΩ*km
Conductor resistance	≤ 57.6 mΩ/m
Nominal voltage, conductor	300 V
Test voltage, conductor	2000 V AC
Material conductor insulation	TPE
Conductor material	Tin-plated Cu litz wires

Certificates / Approvals



SACC-E-M12FS-4CON-M16/0,5 Order No.: 1501618
<http://eshop.phoenixcontact.de/phoenix/treeViewClick.do?UID=1501618>

Certification

CUL, GOST, UL

Accessories

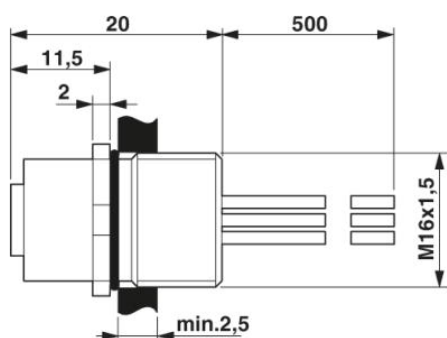
Item	Designation	Description
------	-------------	-------------

Assembly

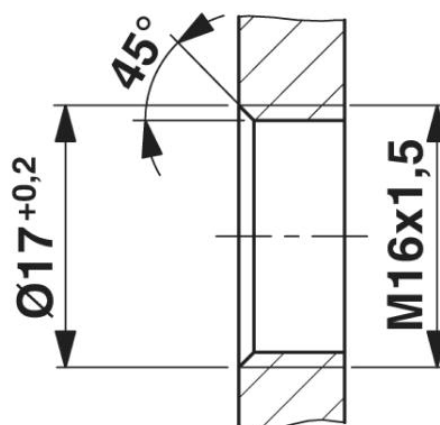
1504097	SACC-E-MU-M16	Flat nut with M16 thread
---------	---------------	--------------------------

Diagrams/Drawings

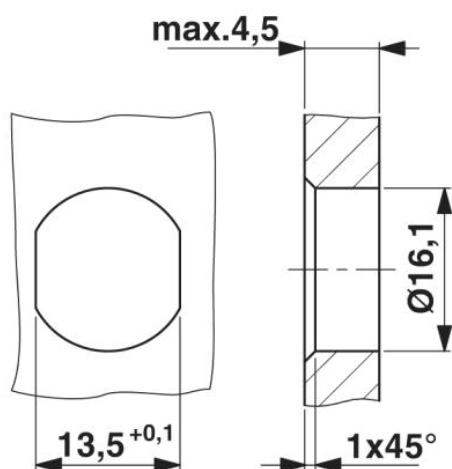
Dimensioned drawing



M12 flush-type connector



Housing cutout for M16 fastening thread, mounting panel with thread

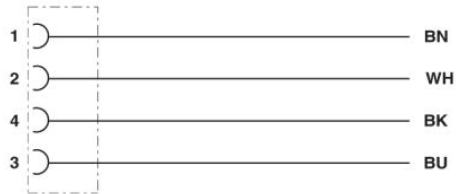


Housing cutout for M16 fastening thread, mounting panel with feed-through hole (alternatively with surface as protection against rotation)

SACC-E-M12FS-4CON-M16/0,5 Order No.: 1501618

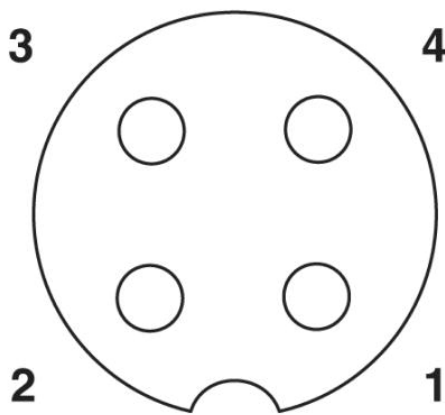
<http://eshop.phoenixcontact.de/phoenix/treeViewClick.do?UID=1501618>

Circuit diagram



Contact assignment of the M12 plug and the M12 socket

Schematic diagram



Pin assignment M12 socket, 4-pos., A-coded, view female side

SACC-E-M12FS-4CON-M16/0,5 Order No.: 1501618

<http://eshop.phoenixcontact.de/phoenix/treeViewClick.do?UID=1501618>

Address

PHOENIX CONTACT Inc., USA
586 Fulling Mill Road
Middletown, PA 17057, USA
Phone (800) 888-7388
Fax (717) 944-1625
<http://www.phoenixcon.com>



© 2010 Phoenix Contact
Technical modifications reserved;