

## Excellent Integrated System Limited

Stocking Distributor

Click to view price, real time Inventory, Delivery & Lifecycle Information:

[Phoenix Contact](#)  
[1890028](#)

For any questions, you can email us directly:

[sales@integrated-circuit.com](mailto:sales@integrated-circuit.com)



Extract from the online catalog

## MKKDSH 3/ 2 BK


Order No.: 1890028

The illustration shows the green product version



<http://eshop.phoenixcontact.de/phoenix/treeViewClick.do?UID=1890028>

PC terminal block, Nominal current: 24 A, Nom. voltage: 250 V, Pitch: 5 mm, Number of positions: 2, Type of connection: Screw connection, Mounting: Soldering, Conductor/PCB connection direction: 0 °, Color: black, The article can be aligned to create different nos. of positions!

Commercial data	
GTIN (EAN)	 4 017918 383923
Note	Made-to-order
sales group	E022
Pack	50 pcs.
Customs tariff	85369010

### Product notes

WEEE/RoHS-compliant since:  
01/01/2003



<http://www.download.phoenixcontact.com>  
Please note that the data given here has been taken from the online catalog. For comprehensive information and data, please refer to the user documentation. The General Terms and Conditions of Use apply to Internet downloads.

### Certificates / Approvals



Certification

CB, CCA, CUL, SEV, UL

MKKDSH 3/ 2 BK Order No.: 1890028

<http://eshop.phoenixcontact.de/phoenix/treeViewClick.do?UID=1890028>

**Accessories**

Item	Designation	Description
------	-------------	-------------

**Assembly**

1711408	EA-MKDS	Single cover, to cover individual terminal positions, snap-fitting, color: orange, transparent
---------	---------	--

**General**

1733169	EBP 2- 5	Insertion bridge, fully insulated, for plug connectors with 5.0 or 5.08 mm pitch, no. of positions: 2
---------	----------	---

**Marking**

1051993	B-STIFT	Marker pen, for manual labeling of unprinted Zack strips, smear-proof and waterproof, line thickness 0.5 mm
0804183	SK 5/3,8:FORTL.ZAHLEN	Marker card, printed horizontally, self-adhesive, 12 identical decades marked 1-10, 11-20 etc. up to 91-(99)100, sufficient for 120 terminal blocks
0805072	SK 5/3,8:SO	Marker card, special printing, self-adhesive, labeled acc. to customer requirements, 12 identical marker strips per card, max. 25-position labeling per strip, color: white
0805409	SK 5/3,8:UNBEDRUCKT	Marker cards, unprinted, with pitch divisions, self-adhesive, 10-section marker strips, 12 strips per card, can be labeled with the M-PEN

**Tools**

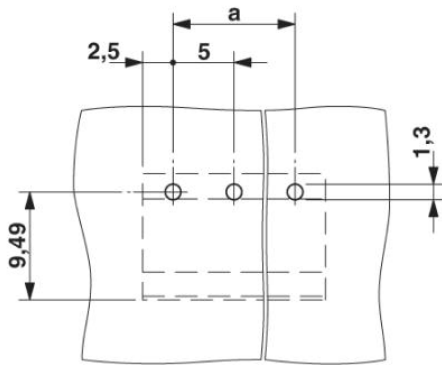
1205053	SZS 0,6X3,5	Actuation tool, for ST terminal blocks, insulated, also suitable for use as a bladed screwdriver, size: 0.6 x 3.5 x 100 mm, 2-component grip, with non-slip grip
---------	-------------	--

MKKDSH 3/ 2 BK Order No.: 1890028

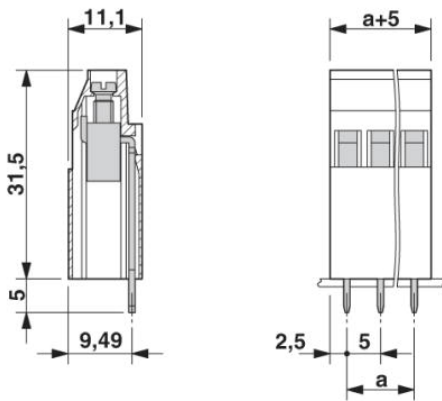
<http://eshop.phoenixcontact.de/phoenix/treeViewClick.do?UID=1890028>

**Diagrams/Drawings**

Drilling plan/solder pad geometry



Dimensioned drawing



MKKDSH 3/ 2 BK Order No.: 1890028

<http://eshop.phoenixcontact.de/phoenix/treeViewClick.do?UID=1890028>

---

**Address**

PHOENIX CONTACT Inc., USA  
586 Fulling Mill Road  
Middletown, PA 17057, USA  
Phone (800) 888-7388  
Fax (717) 944-1625  
<http://www.phoenixcon.com>



© 2010 Phoenix Contact  
Technical modifications reserved;