

## Excellent Integrated System Limited

Stocking Distributor

Click to view price, real time Inventory, Delivery & Lifecycle Information:

[Phoenix Contact](#)  
[2915216](#)

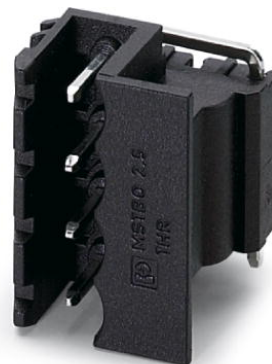
For any questions, you can email us directly:  
[sales@integrated-circuit.com](mailto:sales@integrated-circuit.com)



Extract from the online catalog


## MSTBO 2,5/ 3 G1L THRR44 BK

Order No.: 2915216



<http://eshop.phoenixcontact.de/phoenix/treeViewClick.do?UID=2915216>

Header, Nominal current: 16 A, Rated voltage (III/2): 320 V, Number of positions: 3, Pitch: 5 mm, Color: black, Metal surface: Sn, Assembly: Taped SMD/THT/THR components

Commercial data	
GTIN (EAN)	 4 046356 157988
sales group	F057
Pack	170 pcs.
Customs tariff	85366990
Catalog page information	Page 244 (CC-2009)

### Product notes

WEEE/RoHS-compliant since:  
09/18/2006



<http://www.download.phoenixcontact.com>  
Please note that the data given here has been taken from the online catalog. For comprehensive information and data, please refer to the user documentation. The General Terms and Conditions of Use apply to Internet downloads.

### Technical data

#### Dimensions / positions

Pitch	5 mm
Dimension a	10 mm
Number of positions	3
Pin dimensions	1 x 1

MSTBO 2,5/ 3 G1L THRR44 BK Order No.: 2915216  
<http://eshop.phoenixcontact.de/phoenix/treeViewClick.do?UID=2915216>

Pin spacing	5.00 mm
Hole diameter	1.6 mm

**Technical data**

Range of articles	MSTBO 2,5/..-G1L-THR
Insulating material group	I
Rated surge voltage (III/3)	4 kV
Rated surge voltage (III/2)	4 kV
Rated surge voltage (II/2)	4 kV
Rated voltage (III/2)	320 V
Rated voltage (II/2)	400 V
Connection in acc. with standard	EN-VDE
Nominal current I <sub>N</sub>	16 A
Nominal voltage U <sub>N</sub>	250 V
Maximum load current	16 A
Insulating material	PA
Inflammability class acc. to UL 94	V0
Nominal voltage, UL/CUL Use Group B	300 V
Nominal current, UL/CUL Use Group B	12 A
Nominal voltage, UL/CUL Use Group D	300 V
Nominal current, UL/CUL Use Group D	10 A

**Certificates / Approvals**



Certification CUL, UL

**Accessories**

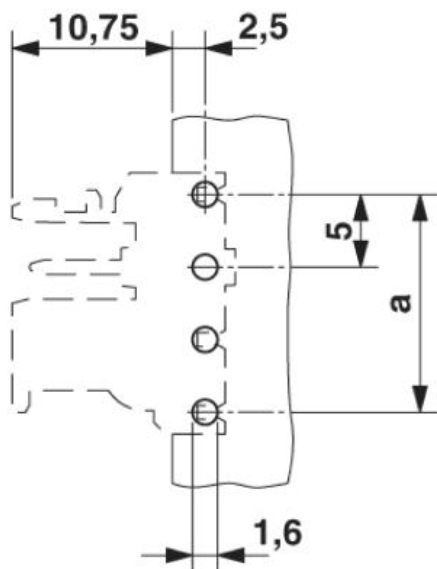
Item	Designation	Description
<b>General</b>		
2199618	CR MSTBO-G1	Coding section

MSTBO 2,5/ 3 G1L THRR44 BK Order No.: 2915216

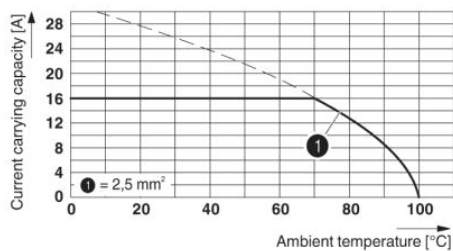
<http://eshop.phoenixcontact.de/phoenix/treeViewClick.do?UID=2915216>

**Diagrams/Drawings**

Drilling plan/solder pad geometry



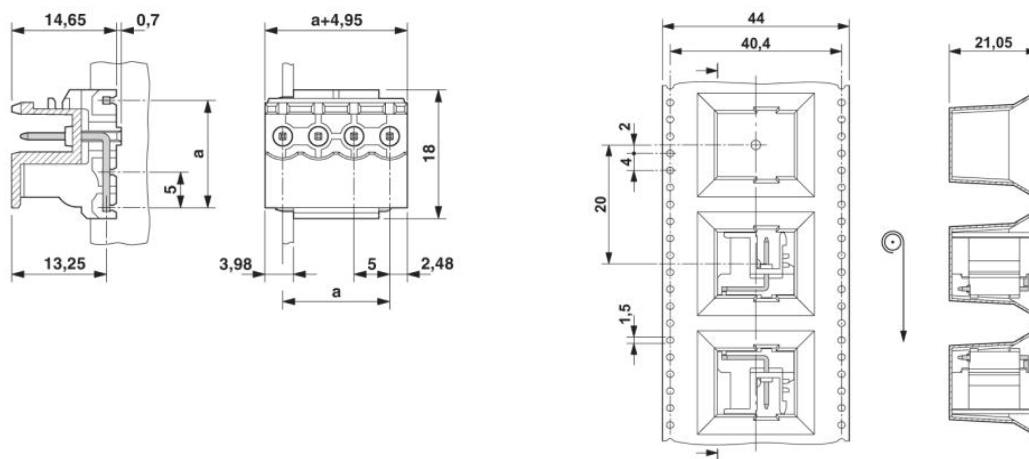
Diagram



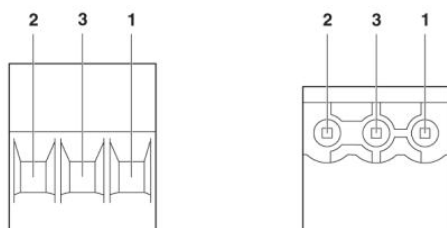
MSTBO 2,5/ 3 G1L THRR44 BK Order No.: 2915216

<http://eshop.phoenixcontact.de/phoenix/treeViewClick.do?UID=2915216>

Dimensioned drawing



Schematic diagram



Pin assignment left

MSTBO 2,5/ 3 G1L THRR44 BK Order No.: 2915216

<http://eshop.phoenixcontact.de/phoenix/treeViewClick.do?UID=2915216>

---

**Address**

PHOENIX CONTACT Deutschland GmbH  
Flachsmarktstr. 8  
32825 Blomberg, Germany  
Phone +49 5235 3 12000  
Fax +49 5235 3 41200  
<http://www.phoenixcontact.de>



© 2010 Phoenix Contact  
Technical modifications reserved;