

## Excellent Integrated System Limited

Stocking Distributor

Click to view price, real time Inventory, Delivery & Lifecycle Information:

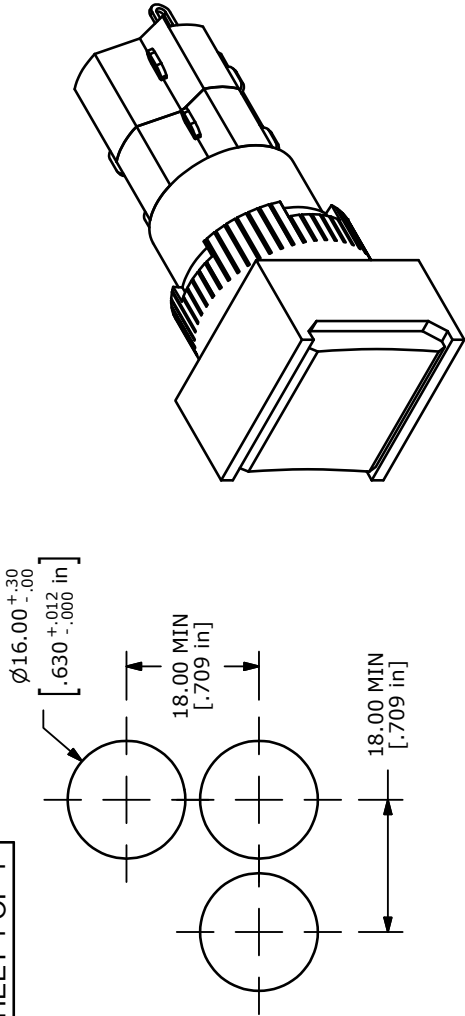
[E-Switch](#)  
[D16OAS22JREDRED](#)

For any questions, you can email us directly:  
[sales@integrated-circuit.com](mailto:sales@integrated-circuit.com)

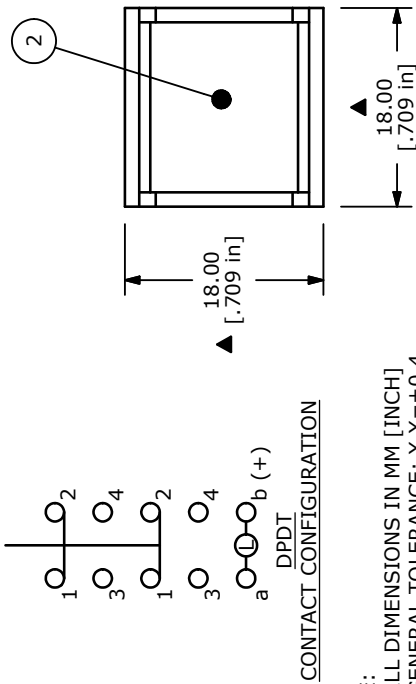
SHEET 1 OF 1

PARTS LIST

ITEM	QTY	PART NUMBER	DESCRIPTION
1	1	F040034	D16OAS22
2	1	F050420	5000420 12V DC LED (RED)
3	1	F050304	5000304 (TRANSPARENT) RED LENS



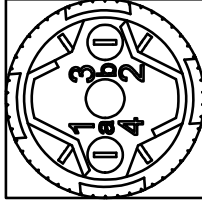
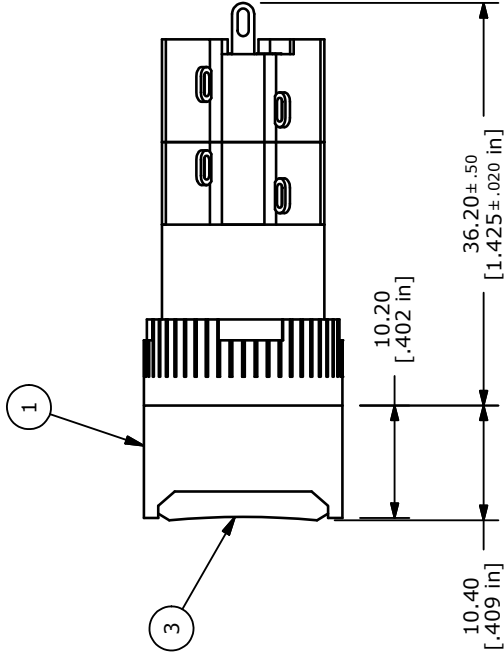
PANEL MOUNTING



CONTACT CONFIGURATION

NOTE:

- ALL DIMENSIONS IN MM [INCH]
- GENERAL TOLERANCE: X.X=±0.4  
X:XX=±0.25
- TERMINAL NUMBERS FOR REF ONLY
- RATING: 5A @ 250 VAC  
6A @ 24 VDC  
8A @ 125 VAC
- ELECTRIC LIFE: 50,000 MAKE-AND-BREAK CYCLES AT FULL LOAD.
- INSULATION RESISTANCE: 1,000 MEGA-OHM MIN.
- OPERATING TEMP.: -20°C to 55°C
- LAMP VOLTAGE: 12V DC
- ▲ DENOTES CRITICAL PARAMETER.
- 2002/05/EC (ROHS) COMPLIANT.
- PACKAGE: BOX/20 PIECES PER BOX
- ▲ LAMP COLOR: RED LED



TITLE D16OAS22JREDRED

REV	PCR NO	RELEASED FOR PRODUCTION	DATE	BY
A	17551	8/13/07	BF	BY

THE INFORMATION CONTAINED IN THIS DOCUMENT IS PROPRIETARY TO E-SWITCH AND IS NOT TO BE COPIED OR TRANSFERRED

SCALE	DATE	DR	DWG	REV
1.5:1	1/10/2011	BF	XF0835P	A