

## Excellent Integrated System Limited

Stocking Distributor

Click to view price, real time Inventory, Delivery & Lifecycle Information:

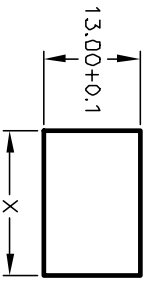
[E-Switch](#)  
[R1966ABLKBLKESRED](#)

For any questions, you can email us directly:

[sales@integrated-circuit.com](mailto:sales@integrated-circuit.com)

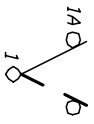
SHEET OF

PANEL THICKNESS	X dimension
0.75-1.25 [.030-.049]	19.2-01 [.756]
1.25-2.0 [.049-.079]	19.4-01 [.764]
2.0-3.0 [.079-.118]	19.8-01 [.780]



PANEL CUTOUT  
NOT TO SCALE

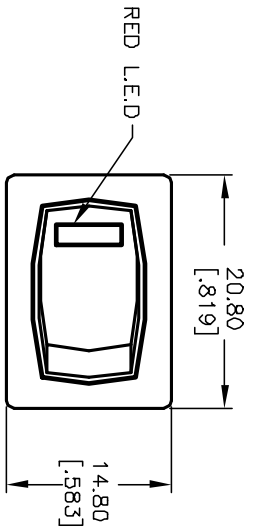
SWITCH FUNCTION	
PDS. 1	PDS. 2
DN	UP
1-1a	OPEN



CIRCUIT: SPST

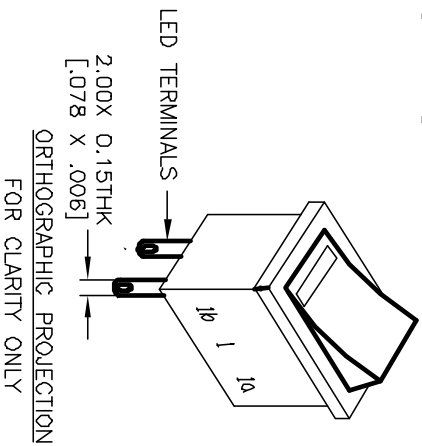
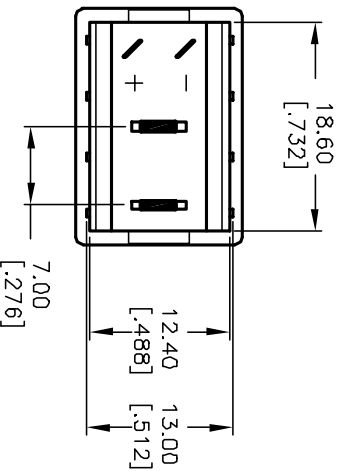
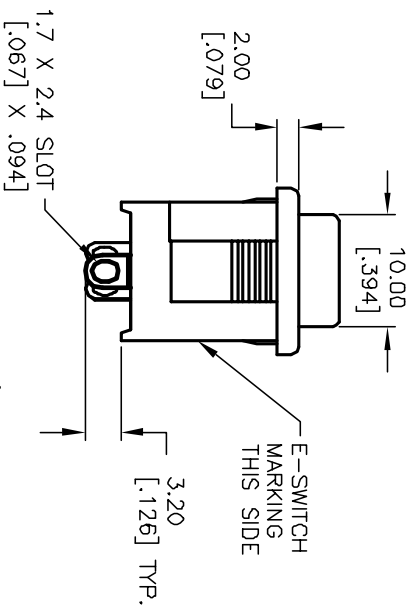
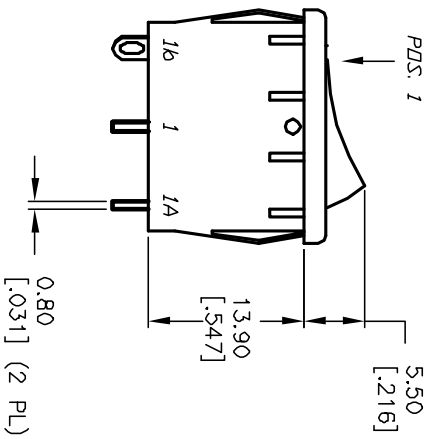
NOTES:

1. ALL DIMENSIONS IN MM [INCH]
2. GENERAL TOLERANCE: X.X=±0.4 X.XX=±0.25
3. TERMINAL NUMBERS FOR REF ONLY
4. RATING: 15A @ 125VAC OR 6A @ 250VAC
5. MATERIALS: (TERMINALS) SILVER PLATED COPPER (CONTACTS) COIN SILVER, SILVER PLATED.
6. CONTACT RESISTANCE: <20 Mega
7. ELECTRICAL LIFE: 10,000 cycles
8. INSULATION RESISTANCE: >1000 Mega
9. DIELECTRIC STRENGTH: >1500V 1 minute >3000V between Poles
10. OPERATING TEMP.: -25°C to +85°C



PARAMETERS		SYMBOL	MAX.	TYP.	UNITS
POWER DISSIPATION	$P_D$	80		mW	
AVE FORWARD CURRENT	$I_{AF}$	--		mA	
PEAK FORWARD CURRENT	$I_{PF}$	100		mA	
REVERSE VOLTAGE	$V_R$	5		V	
FORWARD VOLTAGE	$V_F$	2.1	1.7	V	
REVERSE CURRENT	$I_R$		100	$\mu A$	
EMISSION WAVELENGTH	$\lambda_p$		660	nm	
LUMINOUS INTENSITY	$I_v$		30	mcD	

RED L.E.D



REV.	ECN No.	DESCRIPTION	DATE	CHKD
B	11666	REVISED AND REDRAWN	9/20/01	CJB

TITLE	SCALE	DATE	DR	DWG	REV
R1966A BLK BLK E S RED	1.5:1	2/17/98	MM	M301217	B

**E-SWITCH®**

THE INFORMATION CONTAINED IN THIS DOCUMENT IS PROPRIETARY TO E-SWITCH AND IS NOT TO BE COPIED OR TRANSMITTED