

Excellent Integrated System Limited

Stocking Distributor

Click to view price, real time Inventory, Delivery & Lifecycle Information:

[Phoenix Contact](#)
[1604969](#)

For any questions, you can email us directly:

sales@integrated-circuit.com



Extract from the online catalog

HC-D 25-TFL-72/O1M25S

Order No.: 1604969



<http://eshop.phoenixcontact.de/phoenix/treeViewClick.do?UID=1604969>

HEAVYCON sleeve housing D25, for single locking latch, height 72 mm, with support 1 M25, lateral conductor exit

Commercial data	
GTIN (EAN)	 4 017918 881573
sales group	D011
Pack	10 pcs.
Customs tariff	85389099
Catalog page information	Page 512 (PC-2009)

Product notes

WEEE/RoHS-compliant since:
03/01/2006



<http://www.download.phoenixcontact.com>
Please note that the data given here has been taken from the online catalog. For comprehensive information and data, please refer to the user documentation. The General Terms and Conditions of Use apply to Internet downloads.

Technical data

General data	
Note	For contact inserts HC-D25, A16
Design	D25
Height	72 mm
Width	36 mm

HC-D 25-TFL-72/O1M25S Order No.: 1604969

<http://eshop.phoenixcontact.de/phoenix/treeViewClick.do?UID=1604969>

Length	79.5 mm
Housing type	Sleeve housings
Locking type	for single locking latch
Cable exit	Lateral
Type of the screw connection	1x M25
Degree of protection	IP65
Ambient temperature (operation)	-40 °C ... 125 °C
Housing material	Aluminum, die-cast
Housing surface material	Powder-coated, gray
Seal material	NBR

Certificates / Approvals

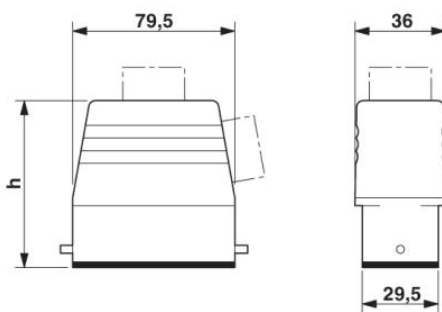


Certification

GOST

Diagrams/Drawings

Dimensioned drawing



HC-D 25-TFL-72/O1M25S Order No.: 1604969

<http://eshop.phoenixcontact.de/phoenix/treeViewClick.do?UID=1604969>

Address

PHOENIX CONTACT Inc., USA
586 Fulling Mill Road
Middletown, PA 17057, USA
Phone (800) 888-7388
Fax (717) 944-1625
<http://www.phoenixcon.com>



© 2010 Phoenix Contact
Technical modifications reserved;