

Excellent Integrated System Limited

Stocking Distributor

Click to view price, real time Inventory, Delivery & Lifecycle Information:

[Phoenix Contact](#)
[1584240](#)

For any questions, you can email us directly:
sales@integrated-circuit.com



Extract from the online catalog

HC-D 40-A-UT-PEL-M

Order No.: 1584240



<http://eshop.phoenixcontact.de/phoenix/treeViewClick.do?UID=1584240>

HEAVYCON terminal adapter male insert, D40 series, 40-pos., right PE connection for the left side of the control cabinet, screw connection

Commercial data	
GTIN (EAN)	 4 046356 142311
sales group	D004
Pack	1 pcs.
Customs tariff	85366990
Catalog page information	Page 470 (PC-2009)

Product notes

WEEE/RoHS-compliant since:
03/17/2009



<http://www.download.phoenixcontact.com>
 Please note that the data given here has been taken from the online catalog. For comprehensive information and data, please refer to the user documentation. The General Terms and Conditions of Use apply to Internet downloads.

Technical data

Electrical characteristics	
Note	For HEAVYCON-ADVANCE mounting flange and HEAVYCON panel mounting base of B16 type
Number of positions	40
Connection in acc. with standard	IEC / EN
Rated voltage (III/3)	250 V

HC-D 40-A-UT-PEL-M Order No.: 1584240

<http://eshop.phoenixcontact.de/phoenix/treeViewClick.do?UID=1584240>

Rated surge voltage	4 kV
Rated current	10 A

Mechanical characteristics

Design	D40
Connection method	Screw connection
Tightening torque	0.5 Nm ... 0.8 Nm
Stripping length of the individual wire	10 mm
Conductor cross-section	0.5 mm ² ... 2.5 mm ²
Connection cross-section AWG	22 ... 12

General characteristics

Contact material	Copper alloy
Contact surface material	Ag
Contact carrier material	PA
Terminal adapter width	56 mm
Height	81 mm
Pollution degree	3
Surge voltage category	III
Inflammability class acc. to UL 94	V0
Connection in acc. with standard	IEC / EN
Ambient temperature (operation)	-40 °C ... 125 °C
Installation instructions	Connectors may be plugged in only when there is no load/voltage. Not for HC-B 16-AMQ-EMV housings

Accessories

Item	Designation	Description
Assembly		
1775240	HC-KA-FE	Foot element, for mounting on DIN rail NS 32, DIN rail NS 35/7.5 or DIN rail NS 35/15, can be inserted between basic and side element
1660083	HC-VSH	Locking screw barrel, for a firm connection of contact inserts and DIN-rail mountable terminal adapters

General

1644326	HC-B-3PE	PE multiplier, for three PE connections, for HC-B (besides HC-B..E..ZZ) / HC-BB / HC-DD / HC-D40 / HC-D64 contact inserts
---------	----------	---

HC-D 40-A-UT-PEL-M Order No.: 1584240

<http://eshop.phoenixcontact.de/phoenix/treeViewClick.do?UID=1584240>

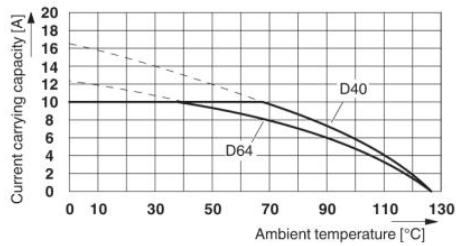
1604997	HC-B-PES	PE screw, for contact inserts HC-B / HC-BB / HC-DD / HC-D40 / HC-D64
1772722	HC-CB	Coding pin, prevents mismatching of up to six plug connectors with an identical number of positions
1676860	HC-CBU	Keying socket for coding up to 16 plug connectors
1676857	HC-CST	Keying peg for coding up to 16 plug connectors

Marking

1050004	ZB 5 :UNBEDRUCKT	Zack strip, unprinted, 10-section, for individual labeling with M-PEN, ZB-T or CMS system, pack is sufficient for 100 terminal blocks, for a terminal width of 5.2 mm, color: White
---------	------------------	---

Diagrams/Drawings

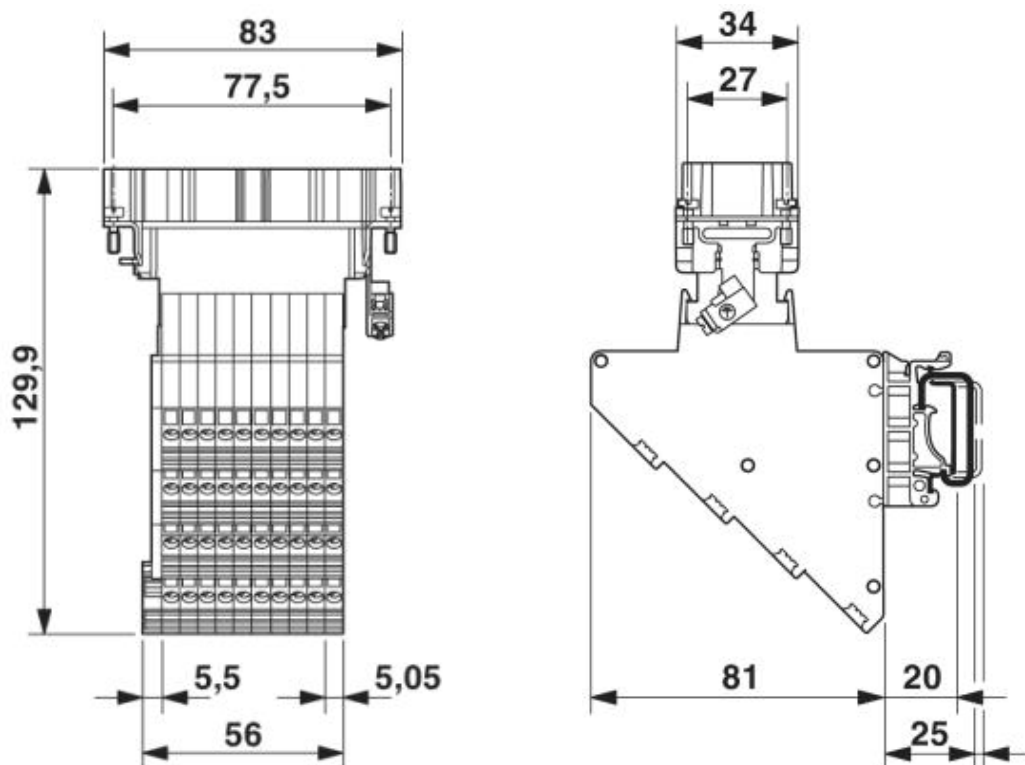
Diagram



HC-D 40-A-UT-PEL-M Order No.: 1584240

<http://eshop.phoenixcontact.de/phoenix/treeViewClick.do?UID=1584240>

Dimensioned drawing



HC-D 40-A-UT-PEL-M Order No.: 1584240

<http://eshop.phoenixcontact.de/phoenix/treeViewClick.do?UID=1584240>

Address

PHOENIX CONTACT Inc., USA
586 Fulling Mill Road
Middletown, PA 17057, USA
Phone (800) 888-7388
Fax (717) 944-1625
<http://www.phoenixcon.com>



© 2010 Phoenix Contact
Technical modifications reserved;