

## Excellent Integrated System Limited

Stocking Distributor

Click to view price, real time Inventory, Delivery & Lifecycle Information:

[Phoenix Contact](#)  
[3049547](#)

For any questions, you can email us directly:

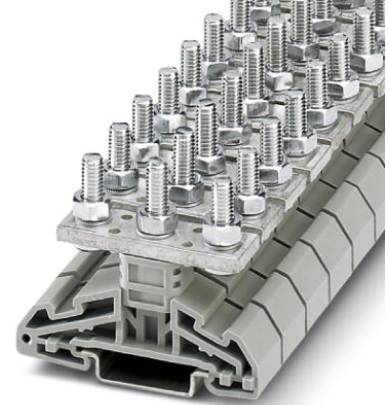
[sales@integrated-circuit.com](mailto:sales@integrated-circuit.com)



Extract from the online catalog

## HV M6/2

Order No.: 3049547



<http://eshop.phoenixcontact.de/phoenix/treeViewClick.do?UID=3049547>

Bolt connection terminal block, Type of connection: Bolt connection, Screw connection, Cross section: 2.5 mm<sup>2</sup> - 35 mm<sup>2</sup>, AWG 14 - 2, Width: 16 mm, Height: 55.5 mm, Color: gray, Mounting type: NS 35/7.5, NS 35/15

Commercial data	
GTIN (EAN)	 4 046356 310291
sales group	A006
Pack	25 pcs.
Customs tariff	85369010
Catalog page information	Page 321 (CL-2009)

### Product notes

WEEE/RoHS-compliant since:  
10/03/2007



<http://www.download.phoenixcontact.com>  
Please note that the data given here has been taken from the online catalog. For comprehensive information and data, please refer to the user documentation. The General Terms and Conditions of Use apply to Internet downloads.

Technical data	
<b>General</b>	
Number of levels	1
Number of connections	2
Color	gray

HV M6/2 Order No.: 3049547

<http://eshop.phoenixcontact.de/phoenix/treeViewClick.do?UID=3049547>

Insulating material	PA
Inflammability class acc. to UL 94	V0

**Dimensions**

Length	67 mm
Width	16 mm
Height NS 35/7.5	58 mm
Height NS 35/15	65.5 mm

**Technical data**

Rated surge voltage	8 kV
Pollution degree	3
Surge voltage category	III
Insulating material group	I
Connection in acc. with standard	IEC 60947-7-1
Nominal current I <sub>N</sub>	125 A
Nominal voltage U <sub>N</sub>	1000 V

**Connection data**

Conductor cross section solid min.	2.5 mm <sup>2</sup>
Conductor cross section solid max.	35 mm <sup>2</sup>
Conductor cross section AWG/kcmil min.	14
Conductor cross section AWG/kcmil max	2
Type of connection	Bolt connection
Screw thread	M6
Bolt diameter	6 mm
Tightening torque, min	3 Nm
Tightening torque max	6 Nm

**Accessories**

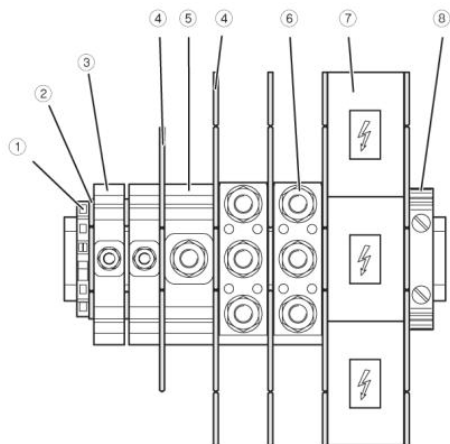
Item	Designation	Description
<b>General</b>		
3049262	HV M6/1-VS 2	Connection element, Number of positions: 2, Color: silver
3049275	HV M6/1-VS 3	Connection element, Number of positions: 3, Color: silver

HV M6/2 Order No.: 3049547

<http://eshop.phoenixcontact.de/phoenix/treeViewClick.do?UID=3049547>

### Diagrams/Drawings

Application drawing



Circuit diagram



HV M6/2 Order No.: 3049547

<http://eshop.phoenixcontact.de/phoenix/treeViewClick.do?UID=3049547>

---

**Address**

PHOENIX CONTACT Inc., USA  
586 Fulling Mill Road  
Middletown, PA 17057, USA  
Phone (800) 888-7388  
Fax (717) 944-1625  
<http://www.phoenixcon.com>



© 2010 Phoenix Contact  
Technical modifications reserved;