

## Excellent Integrated System Limited

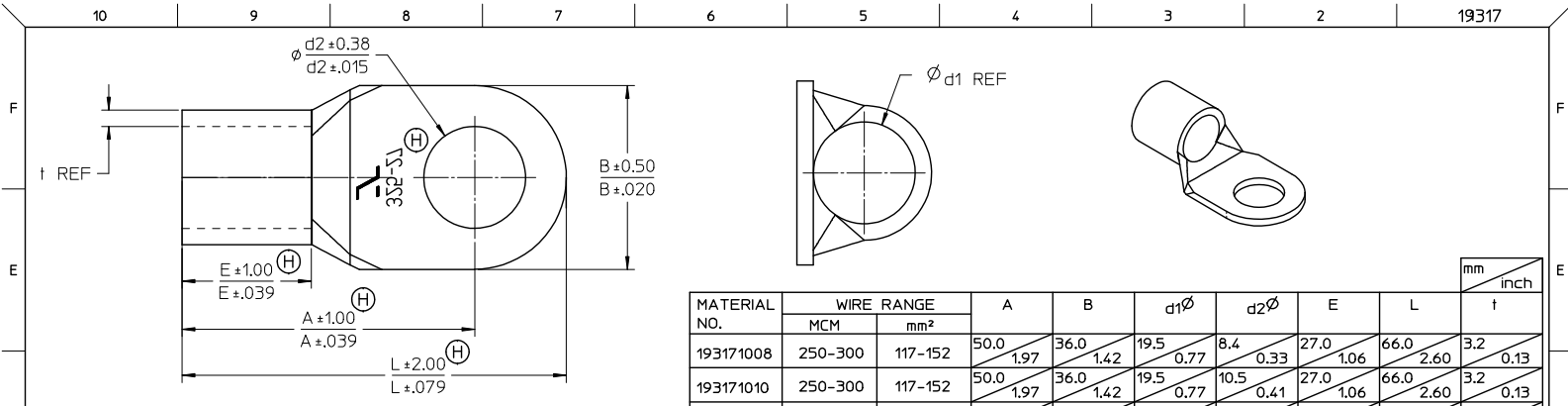
Stocking Distributor

Click to view price, real time Inventory, Delivery & Lifecycle Information:

[Molex Connector Corporation](#)  
[0193174008](#)

For any questions, you can email us directly:

[sales@integrated-circuit.com](mailto:sales@integrated-circuit.com)

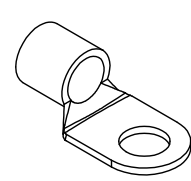
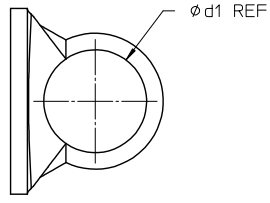
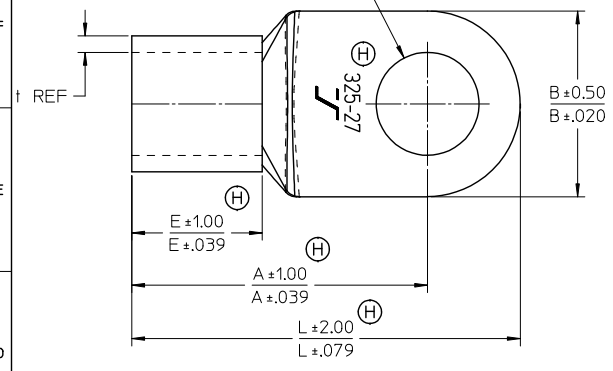


- NOTES:  
 1. MATERIAL: TIN PLATED COPPER  
 2. PRODUCT IS ROHS COMPLIANT  
 3. TERMINAL MARKED AS SHOWN

| MATERIAL NO. | WIRE RANGE |                 | A            | B            | d1∅          | d2∅          | E            | L            | mm          |      |
|--------------|------------|-----------------|--------------|--------------|--------------|--------------|--------------|--------------|-------------|------|
|              | MCM        | mm <sup>2</sup> |              |              |              |              |              |              | t           | inch |
| 193171008    | 250-300    | 117-152         | 50.0<br>1.97 | 36.0<br>1.42 | 19.5<br>0.77 | 8.4<br>0.33  | 27.0<br>1.06 | 66.0<br>2.60 | 3.2<br>0.13 |      |
| 193171010    | 250-300    | 117-152         | 50.0<br>1.97 | 36.0<br>1.42 | 19.5<br>0.77 | 10.5<br>0.41 | 27.0<br>1.06 | 66.0<br>2.60 | 3.2<br>0.13 |      |
| 193171012    | 250-300    | 117-152         | 50.0<br>1.97 | 36.0<br>1.42 | 19.5<br>0.77 | 13.0<br>0.51 | 27.0<br>1.06 | 66.0<br>2.60 | 3.2<br>0.13 |      |
| 193171014    | 250-300    | 117-152         | 50.0<br>1.97 | 36.0<br>1.42 | 19.5<br>0.77 | 15.0<br>0.59 | 27.0<br>1.06 | 66.0<br>2.60 | 3.2<br>0.13 |      |
| 193171016    | 250-300    | 117-152         | 50.0<br>1.97 | 36.0<br>1.42 | 19.5<br>0.77 | 17.0<br>0.67 | 27.0<br>1.06 | 66.0<br>2.60 | 3.2<br>0.13 |      |
| 193171110    | 250-300    | 117-152         | 63.0<br>2.48 | 36.0<br>1.42 | 19.5<br>0.77 | 10.5<br>0.33 | 27.0<br>1.06 | 81.0<br>3.19 | 3.2<br>0.13 |      |
| 193171112    | 250-300    | 117-152         | 63.0<br>2.48 | 36.0<br>1.42 | 19.5<br>0.77 | 13.0<br>0.51 | 27.0<br>1.06 | 81.0<br>3.19 | 3.2<br>0.13 |      |
| 193171116    | 250-300    | 117-152         | 63.0<br>2.48 | 36.0<br>1.42 | 19.5<br>0.77 | 17.0<br>0.67 | 27.0<br>1.06 | 81.0<br>3.19 | 3.2<br>0.13 |      |
| 193171018    | 250-300    | 117-152         | 63.0<br>2.48 | 36.0<br>1.42 | 19.5<br>0.77 | 19.0<br>0.75 | 27.0<br>1.06 | 81.0<br>3.19 | 3.2<br>0.13 |      |
| 193171020    | 250-300    | 117-152         | 63.0<br>2.48 | 36.0<br>1.42 | 19.5<br>0.77 | 21.0<br>0.83 | 27.0<br>1.06 | 81.0<br>3.19 | 3.2<br>0.13 |      |
| 193171022    | 250-300    | 117-152         | 63.0<br>2.48 | 36.0<br>1.42 | 19.5<br>0.77 | 23.0<br>0.91 | 27.0<br>1.06 | 81.0<br>3.19 | 3.2<br>0.13 |      |
| 193171024    | 250-300    | 117-152         | 63.0<br>2.48 | 36.0<br>1.42 | 19.5<br>0.77 | 25.0<br>0.98 | 27.0<br>1.06 | 81.0<br>3.19 | 3.2<br>0.13 |      |
| 193171027    | 250-300    | 117-152         | 63.0<br>2.48 | 36.0<br>1.42 | 19.5<br>0.77 | 28.0<br>1.10 | 27.0<br>1.06 | 81.0<br>3.19 | 3.2<br>0.13 |      |

|  |                 |  |   |                           |   |                        |
|--|-----------------|--|---|---------------------------|---|------------------------|
| LOGO & TOL UPDATED<br>EC NO: PG2013-1515<br>DRAWN BY: CHIKO<br>CHECKED: APPRE: MACNEIL<br>2013/04/01<br>2013/05/14 | QUALITY SYMBOLS | GENERAL TOLERANCES (UNLESS SPECIFIED)  | DIMENSION STYLE   | SCALE                     | DESIGN UNITS                                    | THIRD ANGLE PROJECTION |
|  | ▽=0<br>▽=0      | mm INCH<br>4 PLACES ± --- ± ---<br>3 PLACES ± --- ± ---<br>2 PLACES ± --- ± ---<br>1 PLACE ± --- ± ---<br>ANGULAR ± ---° | MM/IN   | 1:2                       | METRIC  |                        |
|  |                 | DRAFT WHERE APPLICABLE MUST REMAIN WITHIN DIMENSIONS   | DRAWN BY: MODELL<br>CHECKED BY: RDEROSS<br>APPROVED BY: RDEROSS<br>DATE: 2009/02/18<br>DATE: 2009/02/18<br>DATE: 2009/02/18 | TITLE                     | SL SERIES<br>RING TYPE CONNECTORS<br>250-600MCM |                        |
|  |                 |  | MATERIAL NO. SEE TABLE  | DOCUMENT NO. SD-19317-001 | MOLEX INCORPORATED<br>SHEET NO. 1 OF 4          |                        |

10 9 8 7 6 5 4 3 2 19317



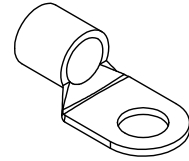
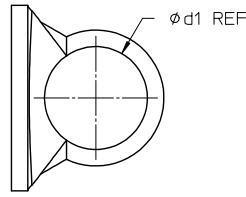
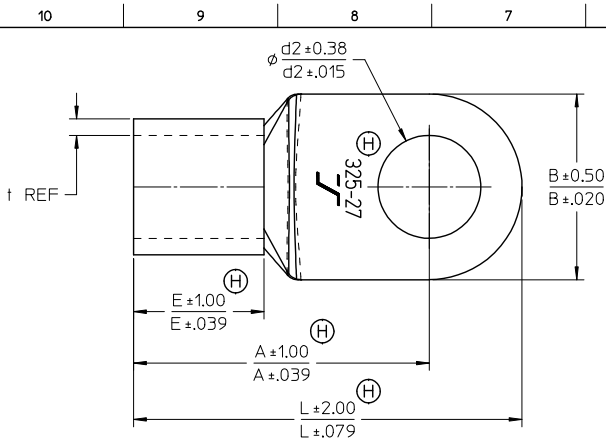
193174027 SHOWN

SEE NOTES ON SHEET 1

| MATERIAL NO. | WIRE RANGE |                 | A            | B            | d1 $\phi$    | d2 $\phi$    | E            | L            | mm          |      |
|--------------|------------|-----------------|--------------|--------------|--------------|--------------|--------------|--------------|-------------|------|
|              | MCM        | mm <sup>2</sup> |              |              |              |              |              |              | t           | inch |
| 193172008    | 300-350    | 152-193         | 53.0<br>2.09 | 38.5<br>1.52 | 21.0<br>0.83 | 8.4<br>0.33  | 28.5<br>1.12 | 69.0<br>2.72 | 3.5<br>0.14 |      |
| 193172010    | 300-350    | 152-193         | 53.0<br>2.09 | 38.5<br>1.52 | 21.0<br>0.83 | 10.5<br>0.41 | 28.5<br>1.12 | 69.0<br>2.72 | 3.5<br>0.14 |      |
| 193172012    | 300-350    | 152-193         | 53.0<br>2.09 | 38.5<br>1.52 | 21.0<br>0.83 | 13.0<br>0.51 | 28.5<br>1.12 | 69.0<br>2.72 | 3.5<br>0.14 |      |
| 193172014    | 300-350    | 152-193         | 53.0<br>2.09 | 38.5<br>1.52 | 21.0<br>0.83 | 15.0<br>0.59 | 28.5<br>1.12 | 69.0<br>2.72 | 3.5<br>0.14 |      |
| 193172016    | 300-350    | 152-193         | 53.0<br>2.09 | 38.5<br>1.52 | 21.0<br>0.83 | 17.0<br>0.67 | 28.5<br>1.12 | 69.0<br>2.72 | 3.5<br>0.14 |      |
| 193172112    | 300-350    | 152-193         | 67.5<br>2.66 | 38.5<br>1.52 | 21.0<br>0.83 | 13.0<br>0.51 | 28.5<br>1.12 | 86.8<br>3.42 | 3.5<br>0.14 |      |
| 193172018    | 300-350    | 152-193         | 67.5<br>2.66 | 38.5<br>1.52 | 21.0<br>0.83 | 19.0<br>0.75 | 28.5<br>1.12 | 86.8<br>3.42 | 3.5<br>0.14 |      |
| 193172020    | 300-350    | 152-193         | 67.5<br>2.66 | 38.5<br>1.52 | 21.0<br>0.83 | 21.0<br>0.83 | 28.5<br>1.12 | 86.8<br>3.42 | 3.5<br>0.14 |      |
| 193172022    | 300-350    | 152-193         | 67.5<br>2.66 | 38.5<br>1.52 | 21.0<br>0.83 | 23.0<br>0.91 | 28.5<br>1.12 | 86.8<br>3.42 | 3.5<br>0.14 |      |
| 193172024    | 300-350    | 152-193         | 67.5<br>2.66 | 38.5<br>1.52 | 21.0<br>0.83 | 25.0<br>0.98 | 28.5<br>1.12 | 86.8<br>3.42 | 3.5<br>0.14 |      |
| 193172027    | 300-350    | 152-193         | 67.5<br>2.66 | 38.5<br>1.52 | 21.0<br>0.83 | 28.0<br>1.10 | 28.5<br>1.12 | 86.8<br>3.42 | 3.5<br>0.14 |      |

|   |  |   |  |                           |                              |                        |  |
|---|--|---|--|---------------------------|------------------------------|------------------------|--|
| <b>LOGO &amp; TOL UPDATED</b><br>EC NO: PG2013-1515<br>DRAWN BY: RICK<br>CHKD: JACQUEL<br>APPR: JACQUEL<br>2013/04/01<br>2013/05/14 | QUALITY SYMBOLS<br>▽=0<br>▽=0                        | GENERAL TOLERANCES (UNLESS SPECIFIED)<br>mm INCH<br>4 PLACES ± --- ± ---<br>3 PLACES ± --- ± ---<br>2 PLACES ± --- ± ---<br>1 PLACE ± --- ± ---<br>ANGULAR ± ---° | DIMENSION STYLE<br>MM/IN                 | SCALE<br>1:2              | DESIGN UNITS<br>METRIC       | THIRD ANGLE PROJECTION |  |
|   | DRAWN BY: MODELL<br>DATE: 2009/02/18                 | CHECKED BY: RDEROSS<br>DATE: 2009/02/18   | APPROVED BY: RDEROSS<br>DATE: 2009/02/18 | MATERIAL NO.<br>SEE TABLE | DOCUMENT NO.<br>SD-19317-001 | SHEET NO.<br>2 OF 4    | TITLE<br>SL SERIES RING TYPE CONNECTORS 250-600MCM |
|   | MOLEX INCORPORATED                                   |   |  |                           |                              |                        |  |
|   | DRAFT WHERE APPLICABLE MUST REMAIN WITHIN DIMENSIONS |   |  |                           |                              |                        |  |

9 8 7 6 5 4 3 2 1

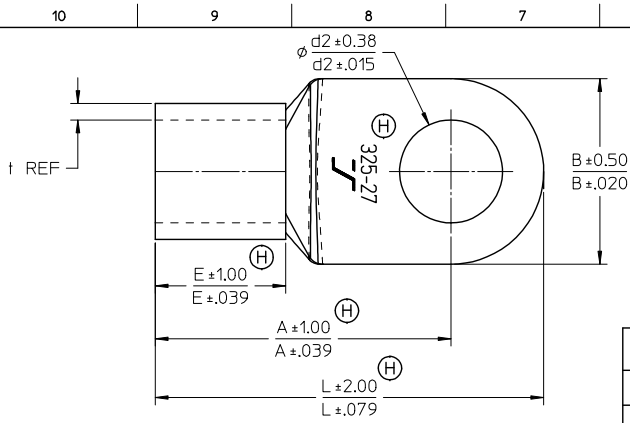


193174027 SHOWN

SEE NOTES ON SHEET 1

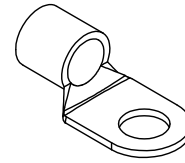
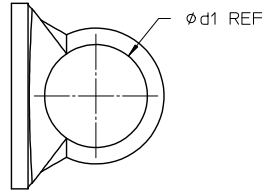
| MATERIAL NO. | WIRE RANGE |         | A            | B            | d1Ø          | d2Ø          | E            | L            | mm          |      |
|--------------|------------|---------|--------------|--------------|--------------|--------------|--------------|--------------|-------------|------|
|              | MCM        | mm      |              |              |              |              |              |              | t           | inch |
| 193173008    | 350-450    | 193-242 | 56.0<br>2.20 | 44.0<br>1.73 | 24.0<br>0.94 | 8.4<br>0.33  | 31.5<br>1.24 | 72.0<br>2.83 | 4.0<br>0.16 |      |
| 193173010    | 350-450    | 193-242 | 56.0<br>2.20 | 44.0<br>1.73 | 24.0<br>0.94 | 10.5<br>0.41 | 31.5<br>1.24 | 72.0<br>2.83 | 4.0<br>0.16 |      |
| 193173012    | 350-450    | 193-242 | 56.0<br>2.20 | 44.0<br>1.73 | 24.0<br>0.94 | 13.0<br>0.51 | 31.5<br>1.24 | 72.0<br>2.83 | 4.0<br>0.16 |      |
| 193173014    | 350-450    | 193-242 | 56.0<br>2.20 | 44.0<br>1.73 | 24.0<br>0.94 | 15.0<br>0.59 | 31.5<br>1.24 | 72.0<br>2.83 | 4.0<br>0.16 |      |
| 193173016    | 350-450    | 193-242 | 56.0<br>2.20 | 44.0<br>1.73 | 24.0<br>0.94 | 17.0<br>0.67 | 31.5<br>1.24 | 72.0<br>2.83 | 4.0<br>0.16 |      |
| 193173112    | 350-450    | 193-242 | 69.0<br>2.72 | 44.0<br>1.73 | 24.0<br>0.94 | 13.0<br>0.51 | 31.5<br>1.24 | 91.0<br>3.58 | 4.0<br>0.16 |      |
| 193173116    | 350-450    | 193-242 | 69.0<br>2.72 | 44.0<br>1.73 | 24.0<br>0.94 | 17.0<br>0.67 | 31.5<br>1.24 | 91.0<br>3.58 | 4.0<br>0.16 |      |
| 193173018    | 350-450    | 193-242 | 69.0<br>2.72 | 44.0<br>1.73 | 24.0<br>0.94 | 19.0<br>0.75 | 31.5<br>1.24 | 91.0<br>3.58 | 4.0<br>0.16 |      |
| 193173020    | 350-450    | 193-242 | 69.0<br>2.72 | 44.0<br>1.73 | 24.0<br>0.94 | 21.0<br>0.83 | 31.5<br>1.24 | 91.0<br>3.58 | 4.0<br>0.16 |      |
| 193173022    | 350-450    | 193-242 | 69.0<br>2.72 | 44.0<br>1.73 | 24.0<br>0.94 | 23.0<br>0.91 | 31.5<br>1.24 | 91.0<br>3.58 | 4.0<br>0.16 |      |
| 193173024    | 350-450    | 193-242 | 69.0<br>2.72 | 44.0<br>1.73 | 24.0<br>0.94 | 25.0<br>0.98 | 31.5<br>1.24 | 91.0<br>3.58 | 4.0<br>0.16 |      |
| 193173027    | 350-450    | 193-242 | 69.0<br>2.72 | 44.0<br>1.73 | 24.0<br>0.94 | 28.0<br>1.10 | 31.5<br>1.24 | 91.0<br>3.58 | 4.0<br>0.16 |      |

| <b>LOGO &amp; TOL UPDATED</b><br>EC NO: PG2013-1515<br>DRAWN BY: CHYK<br>CHKD: APPRE: MACNEIL<br>2013/04/01<br>2013/05/14 | QUALITY SYMBOLS<br>▽=0<br>▽=0 | GENERAL TOLERANCES (UNLESS SPECIFIED)<br><table border="1"> <tr> <th></th> <th>mm</th> <th>INCH</th> </tr> <tr> <td>4 PLACES</td> <td>± ---</td> <td>± ---</td> </tr> <tr> <td>3 PLACES</td> <td>± ---</td> <td>± ---</td> </tr> <tr> <td>2 PLACES</td> <td>± ---</td> <td>± ---</td> </tr> <tr> <td>1 PLACE</td> <td>± ---</td> <td>± ---</td> </tr> </table> |   | mm  | INCH | 4 PLACES            | ± --- | ± --- | 3 PLACES | ± --- | ± --- | 2 PLACES | ± --- | ± --- | 1 PLACE | ± --- | ± --- | DIMENSION STYLE<br>MM/IN | SCALE<br>1:2 | DESIGN UNITS<br>METRIC | THIRD ANGLE PROJECTION |
|---|-------------------------------|--|---|---|------|---------------------|-------|-------|----------|-------|-------|----------|-------|-------|---------|-------|-------|--------------------------|--------------|------------------------|------------------------|
|   |                               | mm   | INCH  |   |      |                     |       |       |          |       |       |          |       |       |         |       |       |                          |              |                        |                        |
|   | 4 PLACES                      | ± ---  | ± ---   |   |      |                     |       |       |          |       |       |          |       |       |         |       |       |                          |              |                        |                        |
|   | 3 PLACES                      | ± ---  | ± ---   |   |      |                     |       |       |          |       |       |          |       |       |         |       |       |                          |              |                        |                        |
| 2 PLACES  | ± ---                         | ± ---  |   |   |      |                     |       |       |          |       |       |          |       |       |         |       |       |                          |              |                        |                        |
| 1 PLACE   | ± ---                         | ± ---  |   |   |      |                     |       |       |          |       |       |          |       |       |         |       |       |                          |              |                        |                        |
|   |                               | DRAWN BY: MODELL<br>DATE: 2009/02/18   | CHECKED BY: RDEROSS<br>DATE: 2009/02/18   | TITLE<br><b>SL SERIES RING TYPE CONNECTORS 250-600MCM</b> |      |                     |       |       |          |       |       |          |       |       |         |       |       |                          |              |                        |                        |
|   |                               | APPROVED BY: RDEROSS<br>DATE: 2009/02/18   | MATERIAL NO. SEE TABLE<br>DOCUMENT NO. SD-19317-001   |   |      | SHEET NO.<br>3 OF 4 |       |       |          |       |       |          |       |       |         |       |       |                          |              |                        |                        |
|   |                               | DRAFT WHERE APPLICABLE MUST REMAIN WITHIN DIMENSIONS   | THIS DRAWING CONTAINS INFORMATION THAT IS PROPRIETARY TO MOLEX INCORPORATED AND SHOULD NOT BE USED WITHOUT WRITTEN PERMISSION |   |      |                     |       |       |          |       |       |          |       |       |         |       |       |                          |              |                        |                        |



193174027 SHOWN

SEE NOTES ON SHEET 1



| MATERIAL NO. | WIRE RANGE |                 | A            | B            | d1Ø          | d2Ø          | E            | L             | mm          |   |
|--------------|------------|-----------------|--------------|--------------|--------------|--------------|--------------|---------------|-------------|---|
|              | MCM        | mm <sup>2</sup> |              |              |              |              |              |               | t           | ⊕ |
| 193174008    | 500-600    | 245-325         | 69.0<br>2.72 | 50.5<br>1.99 | 28.0<br>1.10 | 8.4<br>0.33  | 35.5<br>1.40 | 88.0<br>3.46  | 4.3<br>0.17 |   |
| 193174010    | 500-600    | 245-325         | 69.0<br>2.72 | 50.5<br>1.99 | 28.0<br>1.10 | 10.5<br>0.41 | 35.5<br>1.40 | 88.0<br>3.46  | 4.3<br>0.17 |   |
| 193174012    | 500-600    | 245-325         | 69.0<br>2.72 | 50.5<br>1.99 | 28.0<br>1.10 | 13.0<br>0.51 | 35.5<br>1.40 | 88.0<br>3.46  | 4.3<br>0.17 |   |
| 193174014    | 500-600    | 245-325         | 69.0<br>2.72 | 50.5<br>1.99 | 28.0<br>1.10 | 15.0<br>0.59 | 35.5<br>1.40 | 88.0<br>3.46  | 4.3<br>0.17 |   |
| 193174016    | 500-600    | 245-325         | 69.0<br>2.72 | 50.5<br>1.99 | 28.0<br>1.10 | 17.0<br>0.67 | 35.5<br>1.40 | 88.0<br>3.46  | 4.3<br>0.17 |   |
| 193174112    | 500-600    | 245-325         | 80.5<br>3.17 | 50.5<br>1.99 | 28.0<br>1.10 | 13.0<br>0.51 | 35.5<br>1.40 | 105.7<br>4.16 | 4.3<br>0.17 |   |
| 193174116    | 500-600    | 245-325         | 80.5<br>3.17 | 50.5<br>1.99 | 28.0<br>1.10 | 17.0<br>0.67 | 35.5<br>1.40 | 105.7<br>4.16 | 4.3<br>0.17 |   |
| 193174018    | 500-600    | 245-325         | 80.5<br>3.17 | 50.5<br>1.99 | 28.0<br>1.10 | 19.0<br>0.75 | 35.5<br>1.40 | 105.7<br>4.16 | 4.3<br>0.17 |   |
| 193174020    | 500-600    | 245-325         | 80.5<br>3.17 | 50.5<br>1.99 | 28.0<br>1.10 | 21.0<br>0.83 | 35.5<br>1.40 | 105.7<br>4.16 | 4.3<br>0.17 |   |
| 193174022    | 500-600    | 245-325         | 80.5<br>3.17 | 50.5<br>1.99 | 28.0<br>1.10 | 23.0<br>0.91 | 35.5<br>1.40 | 105.7<br>4.16 | 4.3<br>0.17 |   |
| 193174024    | 500-600    | 245-325         | 80.5<br>3.17 | 50.5<br>1.99 | 28.0<br>1.10 | 25.0<br>0.98 | 35.5<br>1.40 | 105.7<br>4.16 | 4.3<br>0.17 |   |
| 193174027    | 500-600    | 245-325         | 80.5<br>3.17 | 50.5<br>1.99 | 28.0<br>1.10 | 28.0<br>1.10 | 35.5<br>1.40 | 105.7<br>4.16 | 4.3<br>0.17 |   |

|   |   |   |  |                           |                              |  |                     |
|---|---|---|--|---------------------------|------------------------------|--|---------------------|
| <b>LOGO &amp; TOL UPDATED</b><br>EC NO: PG2013-1515<br>DRAWN BY: RICK<br>CHKD: JACQUEL<br>APPR: JACQUEL<br>2013/04/01<br>2013/05/14 | QUALITY SYMBOLS<br>▽=0<br>▽=0   | GENERAL TOLERANCES (UNLESS SPECIFIED)<br>mm INCH<br>4 PLACES ± --- ± ---<br>3 PLACES ± --- ± ---<br>2 PLACES ± --- ± ---<br>1 PLACE ± --- ± ---<br>ANGULAR ± ---° | DIMENSION STYLE<br>MM/IN                 | SCALE<br>1:2              | DESIGN UNITS<br>METRIC       | THIRD ANGLE PROJECTION                                   |                     |
|   | DRAWN BY: MODELL<br>DATE: 2009/02/18  | CHECKED BY: RDEROSS<br>DATE: 2009/02/18   | APPROVED BY: RDEROSS<br>DATE: 2009/02/18 | MATERIAL NO.<br>SEE TABLE | DOCUMENT NO.<br>SD-19317-001 | TITLE<br>SL SERIES<br>RING TYPE CONNECTORS<br>250-600MCM | SHEET NO.<br>4 OF 4 |
|   | DRAFT WHERE APPLICABLE MUST REMAIN WITHIN DIMENSIONS  |   |  |                           |                              |  |                     |
|   | THIS DRAWING CONTAINS INFORMATION THAT IS PROPRIETARY TO MOLEX INCORPORATED AND SHOULD NOT BE USED WITHOUT WRITTEN PERMISSION |   |  |                           |                              |  |                     |