

Excellent Integrated System Limited

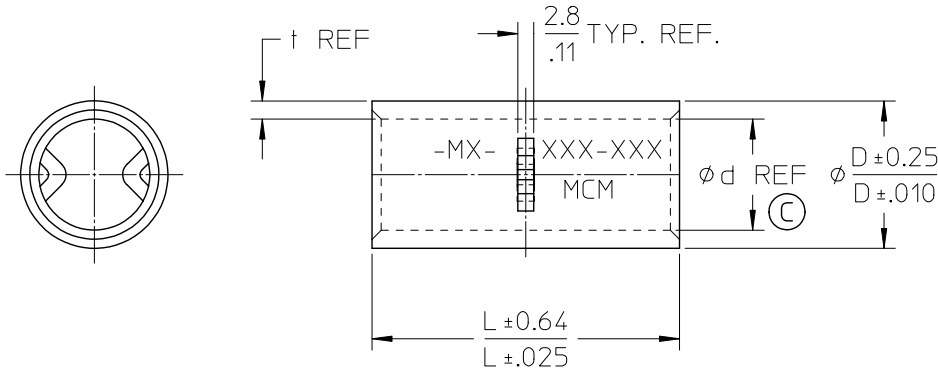
Stocking Distributor

Click to view price, real time Inventory, Delivery & Lifecycle Information:

[Molex Connector Corporation](#)
[0193190002](#)

For any questions, you can email us directly:

sales@integrated-circuit.com



MATERIAL NO.	WIRE RANGE		L	D ϕ	d ϕ	t
	MCM	mm ²				
193190004	500-600	242.3 - 325	72.0 2.83	37.0 1.46	28.0 1.10	4.5 0.18
193190003	350-450	192.6 - 242.3	63.0 2.48	32.0 1.26	24.0 0.94	4.0 0.16
193190002	300-350	152 - 192.6	57.0 2.24	28.0 1.10	21.0 0.83	3.5 0.14
193190001	250-300	117.2 - 152	54.0 2.13	25.9 1.02	19.5 0.77	3.2 0.13

ENTER DESCRIPTION EC NO: WNA2009-0806 DRAWN: MOELLER CHKD: APPR: RDEROSS 2009/06/05 2009/06/08 2009/06/08	QUALITY SYMBOLS ▽=0 ▽=0	GENERAL TOLERANCES (UNLESS SPECIFIED)		DIMENSION STYLE		SCALE	DESIGN UNITS	THIRD ANGLE PROJECTION	
				MM/IN		1:1	METRIC	☉	
				mm	INCH	DRAWN BY		DATE	
				4 PLACES	± ---	± ---	T. MOELLER	2009/02/04	
				3 PLACES	± ---	± ---	CHECKED BY	DATE	
		2 PLACES	± ---	± ---	T. MOELLER	2009/02/04			
		1 PLACE	± ---	± ---	APPROVED BY	DATE			
		ANGULAR ±1/2°		R. DEROSS	2009/02/04		MATERIAL NO.		
		DRAFT WHERE APPLICABLE MUST REMAIN WITHIN DIMENSIONS		SEE CHART		DOCUMENT NO.		SHEET NO.	
				SIZE		THIS DRAWING CONTAINS INFORMATION THAT IS PROPRIETARY TO MOLEX INCORPORATED AND SHOULD NOT BE USED WITHOUT WRITTEN PERMISSION		1 OF 1	

NOTES:
 1. MATERIAL:
 TIN PLATED COPPER
 2. TERMINALS MARKED
 AS SHOWN W/
 CORRESPONDING WIRE
 SIZE