

Excellent Integrated System Limited

Stocking Distributor

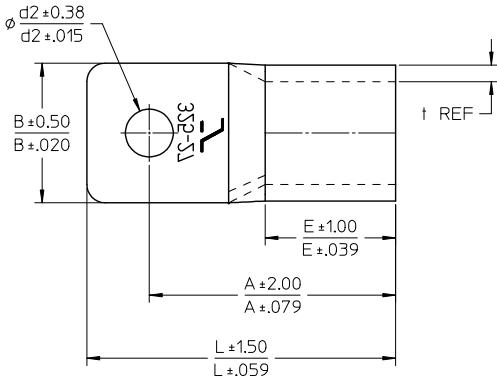
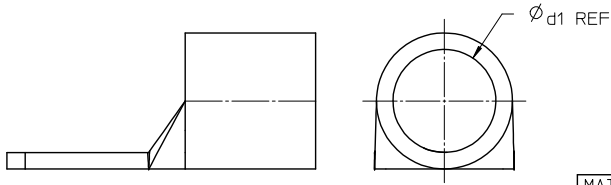
Click to view price, real time Inventory, Delivery & Lifecycle Information:

[Molex Connector Corporation](#)
[0193184010](#)

For any questions, you can email us directly:

sales@integrated-circuit.com

10 9 8 7 6 5 4 3 2 19318



193184012 SHOWN

MATERIAL NO.	WIRE RANGE		A	B	d1∅	d2∅	E	L	mm		inch	
	MCM/AWG	mm ²							t	t		
193180026	2 AWG	26.7-42.4	30.0 1.19	13.5 0.53	9.4 0.37	6.5 0.26	14.0 0.55	38.0 1.50	1.8 0.07			
193180108	1/0 AWG	42.4-60.6	38.7 1.52	16.0 0.63	11.4 0.45	8.4 0.33	18.0 0.71	49.0 1.93	1.8 0.07			
193180110	1/0 AWG	42.4-60.6	38.7 1.52	16.0 0.63	11.4 0.45	10.5 0.41	18.0 0.71	49.0 1.93	1.8 0.07			
193180308	3/0 AWG	76.3-96.3	40.7 1.60	21.8 0.86	14.5 0.57	8.4 0.33	20.0 0.79	49.0 1.93	2.3 0.091			
193180310	3/0 AWG	76.3-96.3	40.7 1.60	21.8 0.86	14.5 0.57	10.5 0.41	20.0 0.79	49.0 1.93	2.3 0.091			
193180312	3/0 AWG	76.3-96.3	40.7 1.60	21.8 0.86	14.5 0.57	13.0 0.51	20.0 0.79	49.0 1.93	2.3 0.091			
193180408	4/0 AWG	96.3-117	41.4 1.63	21.8 0.86	16.4 0.65	8.4 0.33	21.0 0.83	53.0 2.09	2.7 0.11			
193180410	4/0 AWG	96.3-117	41.4 1.63	21.8 0.86	16.4 0.65	10.5 0.41	21.0 0.83	53.0 2.09	2.7 0.11			
193180412	4/0 AWG	96.3-117	41.4 1.63	21.8 0.86	16.4 0.65	13.0 0.51	21.0 0.83	53.0 2.09	2.7 0.11			
193181010	250-300MCM	117-152	49.3 1.94	22.0 0.87	19.5 0.77	10.5 0.41	27.0 1.06	61.0 2.40	3.2 0.13			
193181012	250-300MCM	117-152	49.3 1.94	22.0 0.87	19.5 0.77	13.0 0.51	27.0 1.06	61.0 2.40	3.2 0.13			
193183010	350-450MCM	193-242	53.8 2.12	36.0 1.42	24.0 0.94	10.5 0.41	31.5 1.24	72.5 2.85	4.0 0.16			
193183012	350-450MCM	193-242	53.8 2.12	36.0 1.42	24.0 0.94	13.0 0.51	31.5 1.24	72.5 2.85	4.0 0.16			
193184012	500-600MCM	242-325	67.5 2.66	37.2 1.46	28.0 1.10	13.0 0.51	35.5 1.40	88.0 3.46	4.3 0.17			

NOTES:

1. MATERIAL: TIN PLATED COPPER
2. PRODUCT IS ROHS COMPLIANT
3. TERMINAL IS MARKED AS SHOWN.

TYPD DIM: 6.5 WAS 8.4 EC NO: IFC2013-1768 DRAWN BY: JRM/MSW/CLK 2013/05/16 CHKD: JMAC/ETL 2013/05/16 APPR: JMAC/ETL 2013/05/16	QUALITY SYMBOLS ▽=0 ▽=0	GENERAL TOLERANCES (UNLESS SPECIFIED)		DIMENSION STYLE MM/IN		SCALE 1:1	DESIGN UNITS METRIC	THIRD ANGLE PROJECTION	
		4 PLACES ± --- ± ---	3 PLACES ± --- ± ---	DRAWN BY MODELL	DATE 2009/02/18	TITLE SL SERIES SQUARE TYPE 2 AWG TO 600 MCM			
		2 PLACES ± --- ± ---	1 PLACE ± --- ± ---	CHECKED BY RDEROSS	DATE 2009/02/18	MOLEX INCORPORATED			
		ANGULAR ± ---°		APPROVED BY RDEROSS	DATE 2009/02/18	MATERIAL NO. SEE CHART	DOCUMENT NO. SD-19318-001	SHEET NO. 1 OF 1	
DRAFT WHERE APPLICABLE MUST REMAIN WITHIN DIMENSIONS		THIS DRAWING CONTAINS INFORMATION THAT IS PROPRIETARY TO MOLEX INCORPORATED AND SHOULD NOT BE USED WITHOUT WRITTEN PERMISSION							

9 8 7 6 5 4 3 2 1