

## Excellent Integrated System Limited

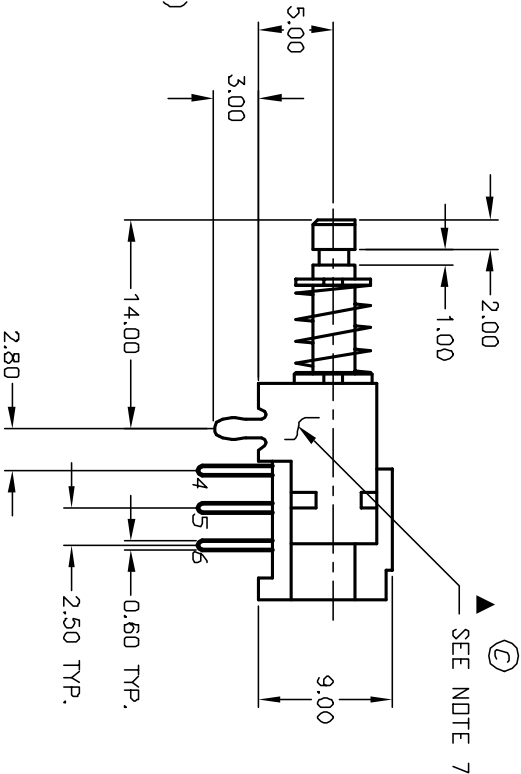
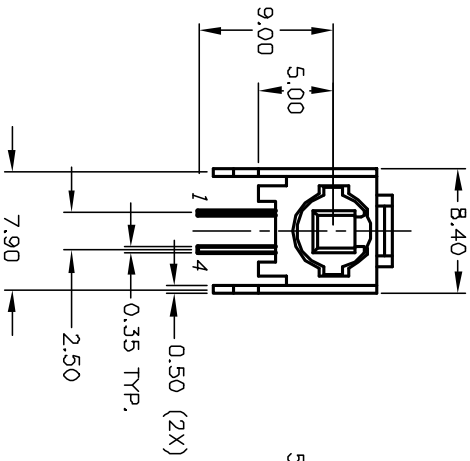
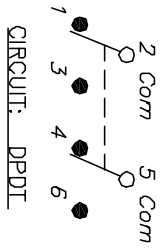
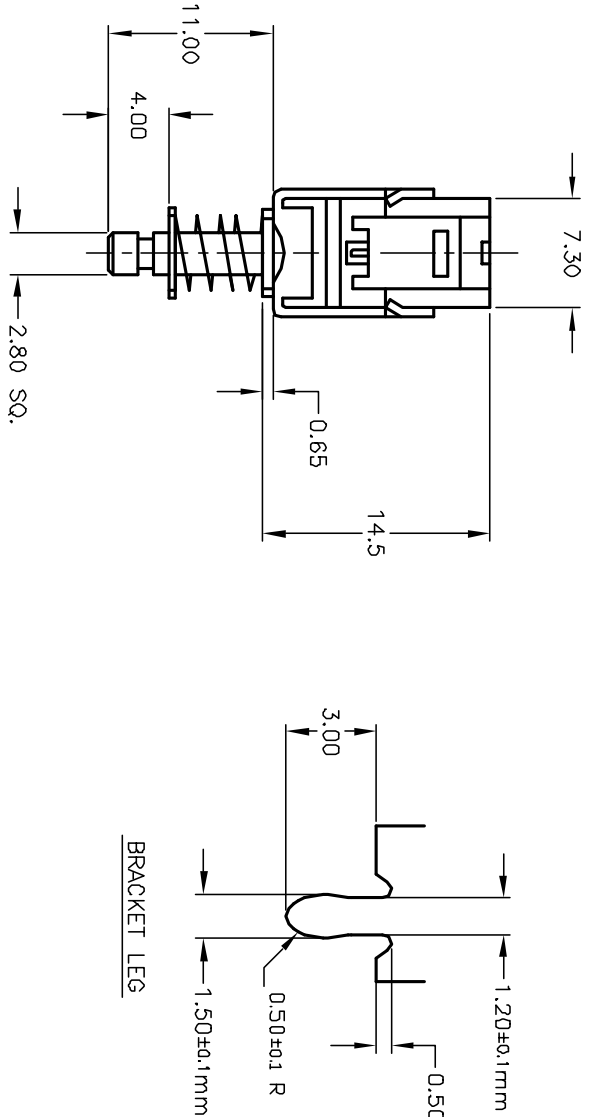
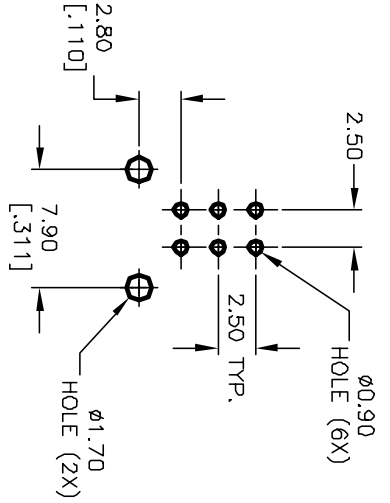
Stocking Distributor

Click to view price, real time Inventory, Delivery & Lifecycle Information:

[E-Switch](#)  
[MTH2UEEKZXNAGX](#)

For any questions, you can email us directly:

[sales@integrated-circuit.com](mailto:sales@integrated-circuit.com)



- NOTES:
1. ALL DIMENSIONS IN MM
  2. GENERAL TOLERANCE: X.X=±0.4  
X.XX=±0.25
  3. TERM. NOS. FOR REFERENCE ONLY.
  4. RATINGS: 0.1A@30VDC
  5. CONTACT RESISTANCE: 0.1 Ohms max.
  6. TRAVEL: 2.00mm
  7. BRACKET TO BE PLATED 120 micro Inch min. TIN PLATE TO MIL STD 202F-208F SOLDERABILITY TEST.

C	11729	REVISED AND REDRAWN	10/10/01	CJB
REV.	ECN No.	DESCRIPTION	DATE	CHKD
THE INFORMATION CONTAINED IN THIS DOCUMENT IS PROPRIETARY TO E-SWITCH AND IS NOT TO BE COPIED OR TRANSMITTED				

TITLE		MTH2UEE W/KZX BRACKET		
SCALE	DATE	DR	DWG	REV
2:1	10/10/01	CJB	A960020	C

**E-SWITCH®**