

Excellent Integrated System Limited

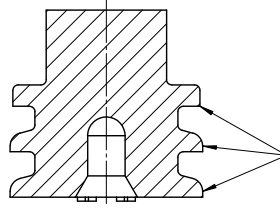
Stocking Distributor

Click to view price, real time Inventory, Delivery & Lifecycle Information:

[Molex Connector Corporation](#)
[0643251091](#)

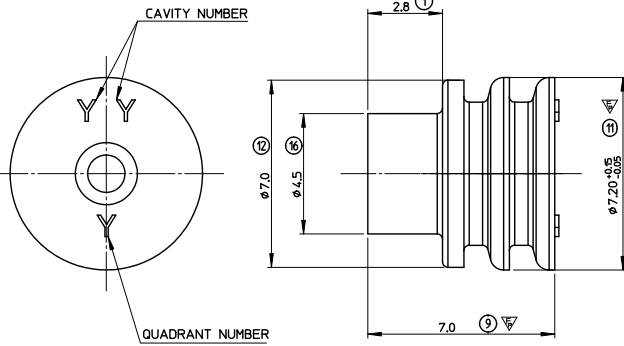
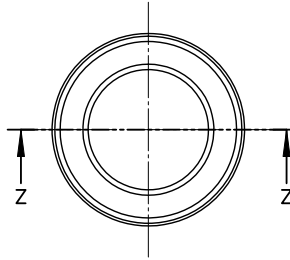
For any questions, you can email us directly:

sales@integrated-circuit.com



No flash, no cut, no less material,
no deformation on seal lips

Z-Z



MATERIAL SPECIFICATION : SILICON ELASTOMER TYPE LSR 50+5 SHORE A ,
SELF BLEEDING OIL CONTENT : 0%

LOOSE PACKAGING		
50 000 seals (5 bags of 10 000 seals) / cardboard box.		
PACKAGING CODE : GALIA A12		
0643251091	BLACK	0.19
MOLEX PART NUMBER	COLOUR	CALCULATED WEIGHT (g)

REVIEW ALL NOTES EC NO: G2010-0160 DRAWN: P. CHELE 2011/03/16 CHECKED: S. PLESSIS 2011/10/20 APPROVED: J. COUGHAN 2011/12/06	QUALITY SYMBOLS	GENERAL TOLERANCES (UNLESS SPECIFIED)	DIMENSION STYLE	SCALE	DESIGN UNITS	FIRST ANGLE PROJECTION	
	$\nabla=0$ $\nabla=0$ $\nabla=3$	mm INCH 4 PLACES ± --- ± --- 3 PLACES ± --- ± --- 2 PLACES ± --- ± --- 1 PLACE ± 0.15 ± --- ANGULAR ± 3 °	MM ONLY	10:1	METRIC	DRAWN BY: VGUERIN 2007/07/13 CHECKED BY: FPAROLARI 2007/07/14 APPROVED BY: LSTICKEIR 2007/07/14	TITLE: WIRE SEAL PLUG RCPT TERM MOLEX INCORPORATED
	DRAFT WHERE APPLICABLE MUST REMAIN WITHIN DIMENSIONS		MATERIAL NO. 0643251091	DOCUMENT NO. SD-64325-004		SHEET NO. 1 OF 1	
	THIS DRAWING CONTAINS INFORMATION THAT IS PROPRIETARY TO MOLEX INCORPORATED AND SHOULD NOT BE USED WITHOUT WRITTEN PERMISSION						