

## Excellent Integrated System Limited

Stocking Distributor

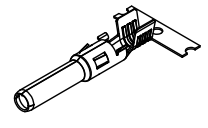
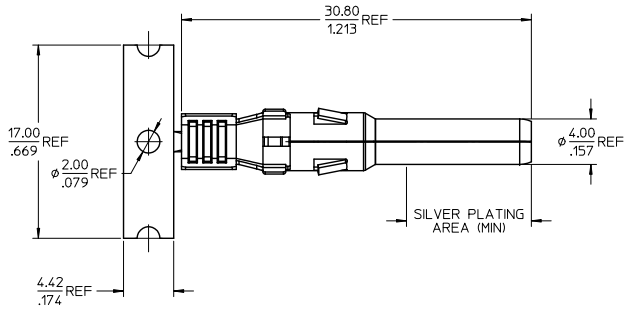
Click to view price, real time Inventory, Delivery & Lifecycle Information:

[Molex Connector Corporation](#)  
[1301960314](#)

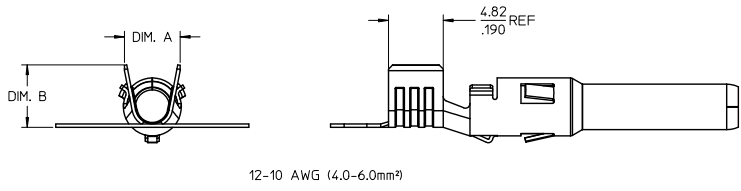
For any questions, you can email us directly:

[sales@integrated-circuit.com](mailto:sales@integrated-circuit.com)

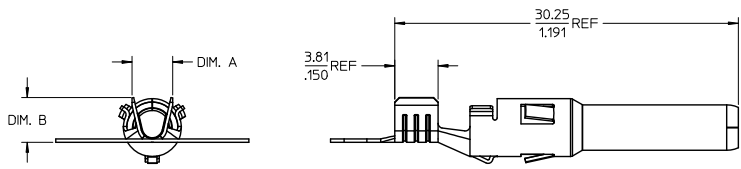
MATERIAL NO. ON STRIP	MATERIAL NO. LOOSE PIECE	CABLE SIZE	DIM. "A" REF	DIM. "B" REF	USE WITH HOUSING ASSY
1301960315	1301960313	2.5mm <sup>2</sup> / 14AWG	3.58/.141	3.94/.155	1302440204
1301960314	1301960310	4.0-6.0mm <sup>2</sup> / 12-10AWG	4.90/.193	5.51/.217	1302440202



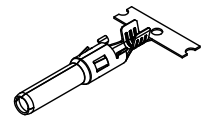
12-10 AWG (4.0-6.0mm<sup>2</sup>)  
SCALE 2:1



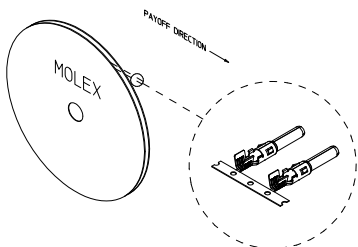
12-10 AWG (4.0-6.0mm<sup>2</sup>)



14 AWG (2.5mm<sup>2</sup>)  
SAME AS 12-10 AWG EXCEPT AS NOTED



14 AWG (2.5mm<sup>2</sup>)  
SCALE 2:1



- NOTES:
1. MATERIAL: COPPER ALLOY 0.30/.012 THK.
  2. FINISH: 2.0μMETER/80μINCH MIN. SELECTIVE SILVER OVER 1.27μMETER/50μINCH MIN. NICKEL OVERALL
  3. TERMINAL FOR USE WITH 130244 SERIES PIN HOUSING ASSEMBLY. SEE CHART FOR APPLICABLE PART NUMBERS.
  4. STRIP TERMINALS ARE REELED AS SHOWN ABOVE ON ø580MM (22.84") REELS 2,000/REEL WITH 3 REELS PER CARTON.
  5. PRODUCT SPECIFICATION: PS-130244-001
  6. SEE PK-130197-001 FOR LOOSE PIECE PACKAGING INFO.
  7. SEE PK-130196-002 FOR STRIP PACKAGING INFO.
  8. APPLICATION TOOLING AND CRIMP SPECIFICATIONS: CONSULT FACTORY.
  9. PARTS ARE ROHS COMPLIANT.

<b>DOC RELEASE</b> EC NO: WNA2010-0415 DRAWN BY: BRUNO CHKD: APPROVED APPROVED BY: DTITUS DATE: 2010/04/15 2012/04/18	QUALITY SYMBOLS ▽=0 ▽=0	GENERAL TOLERANCES (UNLESS SPECIFIED)		DIMENSION STYLE MM/IN		SCALE 4:1	DESIGN UNITS METRIC	THIRD ANGLE PROJECTION	
		4 PLACES ± --- ± ---	3 PLACES ± --- ± ---	2 PLACES ± --- ± ---	1 PLACE ± --- ± ---	DRAWN BY CLYORK DATE 2010/04/15	TITLE PIN CONTACT, PV SOLAR 14 & 12-10 AWG		
		ANGULAR ± 3°				CHECKED BY DTITUS DATE 2010/04/15	APPROVED BY DTITUS DATE 2010/05/07		
		DRAFT WHERE APPLICABLE MUST REMAIN WITHIN DIMENSIONS		SEE CHART		MATERIAL NO. DTITUS		DOCUMENT NO. SD-130196-001	