

Excellent Integrated System Limited

Stocking Distributor

Click to view price, real time Inventory, Delivery & Lifecycle Information:

[Phoenix Contact](#)
[1955662](#)

For any questions, you can email us directly:

sales@integrated-circuit.com



Extract from the online catalog

CCV 2,5/ 5-GF-5,08 P26THR


Order No.: 1955662

The figure shows a 10-position version of the product



<http://eshop.phoenixcontact.de/phoenix/treeViewClick.do?UID=1955662>

Header, Nominal current: 12 A, Rated voltage (III/2): 320 V,
 Number of positions: 5, Pitch: 5.08 mm, Color: black, Metal surface:
 Sn, Assembly: SMD/THT/THR, User information and design
 recommendations on through hole reflow technology can be found at:
<http://www.combicon.com>

Commercial data	
GTIN (EAN)	 4 017918 926427
Note	Made-to-order
sales group	E172
Pack	50 pcs.
Customs tariff	85366990
Catalog page information	Page 237 (CC-2009)

Product notes

WEEE/RoHS-compliant since:
01/01/2003



<http://www.download.phoenixcontact.com>
 Please note that the data given here has been taken from the online catalog. For comprehensive information and data, please refer to the user documentation. The General Terms and Conditions of Use apply to Internet downloads.

Technical data

Dimensions / positions	
Length	8.6 mm
Pitch	5.08 mm

CCV 2,5/ 5-GF-5,08 P26THR Order No.: 1955662

<http://eshop.phoenixcontact.de/phoenix/treeViewClick.do?UID=1955662>

Dimension a	20.32 mm
Number of positions	5
Pin dimensions	1 x 1 mm
Pin spacing	5.08 mm
Hole diameter	1.6 mm

Technical data

Range of articles	CCV 2,5/...-GF
Insulating material group	IIIa
Rated surge voltage (III/3)	4 kV
Rated surge voltage (III/2)	4 kV
Rated surge voltage (II/2)	4 kV
Rated voltage (III/2)	320 V
Rated voltage (II/2)	400 V
Connection in acc. with standard	EN-VDE
Nominal current I_N	12 A
Nominal voltage U_N	250 V
Maximum load current	12 A (per position)
Insulating material	LCP
Inflammability class acc. to UL 94	V0
Nominal voltage, UL/CUL Use Group B	250 V
Nominal current, UL/CUL Use Group B	10 A
Nominal voltage, UL/CUL Use Group D	300 V
Nominal current, UL/CUL Use Group D	10 A

Certificates / Approvals



Certification

CUL, UL

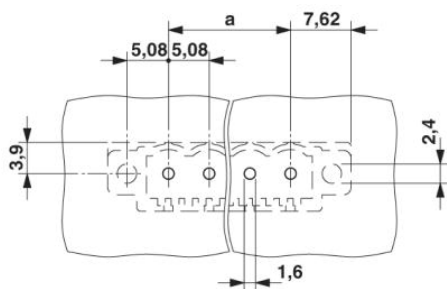
CCV 2,5/ 5-GF-5,08 P26THR Order No.: 1955662
<http://eshop.phoenixcontact.de/phoenix/treeViewClick.do?UID=1955662>

Accessories

Item	Designation	Description
General		
1954362	CR-MSTB NAT HT	HT keying section, prior to the reflow soldering process it is inserted into the recess on the header, made from high-temperature-resistant beige insulation material
Marking		
1051993	B-STIFT	Marker pen, for manual labeling of unprinted Zack strips, smear-proof and waterproof, line thickness 0.5 mm
0804293	SK 5,08/3,8:FORTL.ZAHLEN	Marker card, printed horizontally, self-adhesive, 12 identical decades marked 1-10, 11-20 etc. up to 91-(99)100, sufficient for 120 terminal blocks
0805085	SK 5,08/3,8:SO	Marker card, special printing, self-adhesive, labeled acc. to customer requirements, 12 identical marker strips per card, max. 25-position labeling per strip, color: white
0805412	SK 5,08/3,8:UNBEDRUCKT	Marker cards, unprinted, with pitch divisions, self-adhesive, 10-section marker strips, 12 strips per card, can be labeled with the M-PEN
Plug/Adapter		
1734401	CR-MSTB	Coding section, inserted into the recess in the header or the inverted plug, red insulating material

Diagrams/Drawings

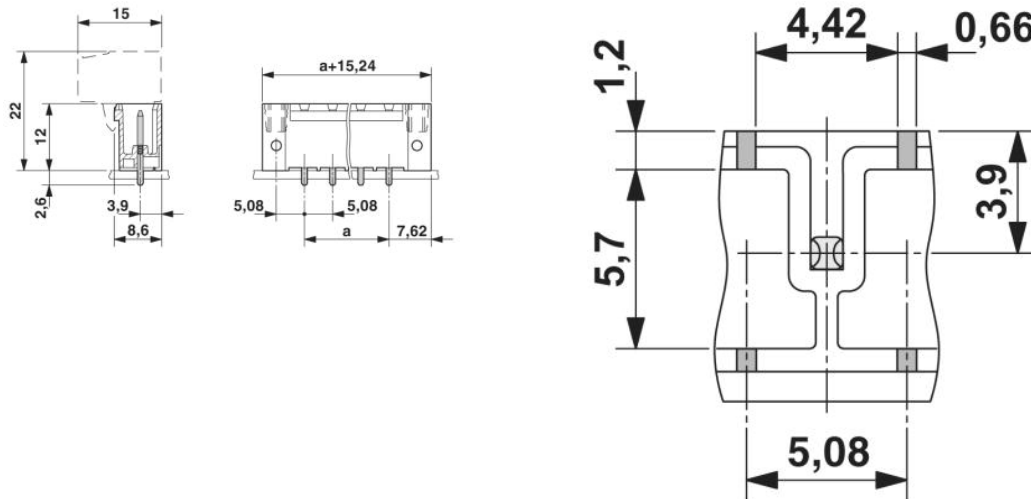
Drilling plan/solder pad geometry



CCV 2,5/ 5-GF-5,08 P26THR Order No.: 1955662

<http://eshop.phoenixcontact.de/phoenix/treeViewClick.do?UID=1955662>

Dimensioned drawing



Bottom view, free space for solder paste,
 0.55 mm deep

CCV 2,5/ 5-GF-5,08 P26THR Order No.: 1955662
<http://eshop.phoenixcontact.de/phoenix/treeViewClick.do?UID=1955662>

Address

PHOENIX CONTACT Deutschland GmbH
Flachsmarktstr. 8
32825 Blomberg, Germany
Phone +49 5235 3 12000
Fax +49 5235 3 41200
<http://www.phoenixcontact.de>



© 2010 Phoenix Contact
Technical modifications reserved;