



Distributor of Phoenix Contact: Excellent Integrated System Limited
Datasheet of 1701388 - Connector Header 4 Position 0.079" (2.00mm) Gold Through Hole

Contact us: sales@integrated-circuit.com Website: www.integrated-circuit.com

Excellent Integrated System Limited

Stocking Distributor

Click to view price, real time Inventory, Delivery & Lifecycle Information:

[Phoenix Contact](#)
[1701388](#)

For any questions, you can email us directly:

sales@integrated-circuit.com



Extract from the online catalog

CIOC 4-1-FV-A


Order No.: 1701388



<http://eshop.phoenixcontact.de/phoenix/treeViewClick.do?UID=1701388>

Header, Nominal current: 3 A, Number of positions: 4, Pitch: 2 mm, Color: black, Metal surface: Au, Assembly: Soldering

Commercial data

| | |
|--------------------------|--|
| GTIN (EAN) |  4 046356 030496 |
| sales group | E194 |
| Pack | 100 pcs. |
| Customs tariff | 85366990 |
| Catalog page information | Page 177 (NTK-2010) |

Product notes

WEEE/RoHS-compliant since:
02/25/2005



<http://www.download.phoenixcontact.com>
Please note that the data given here has been taken from the online catalog. For comprehensive information and data, please refer to the user documentation. The General Terms and Conditions of Use apply to Internet downloads.

Technical data

Dimensions / positions

| | |
|---------------------|---------|
| Pitch | 2 mm |
| Dimension a | 6 mm |
| Number of positions | 4 |
| Pin spacing | 2.00 mm |

CIOC 4-1-FV-A Order No.: 1701388
<http://eshop.phoenixcontact.de/phoenix/treeViewClick.do?UID=1701388>

Technical data

| | |
|------------------------------------|---------|
| Range of articles | CIOC-FV |
| Connection in acc. with standard | EN-VDE |
| Nominal current I_N | 3 A |
| Nominal voltage U_N | 32 V |
| Maximum load current | 3 A |
| Insulating material | PA |
| Inflammability class acc. to UL 94 | V0 |

Certificates / Approvals

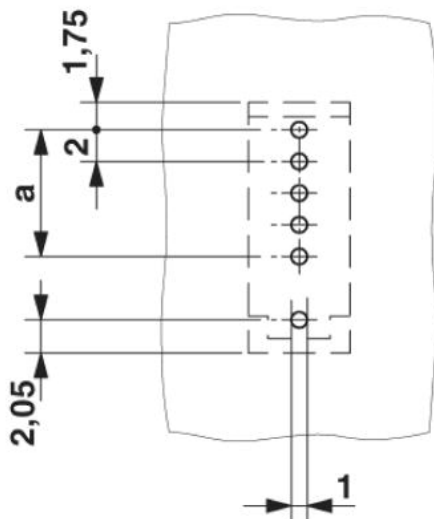


Certification

CUL, UL

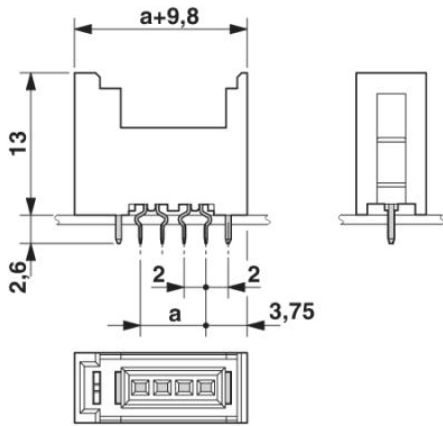
Diagrams/Drawings

Drilling plan/solder pad geometry



CIOC 4-1-FV-A Order No.: 1701388
<http://eshop.phoenixcontact.de/phoenix/treeViewClick.do?UID=1701388>

Dimensioned drawing



CIOC 4-1-FV-A Order No.: 1701388
<http://eshop.phoenixcontact.de/phoenix/treeViewClick.do?UID=1701388>

Address

PHOENIX CONTACT Deutschland GmbH
Flachsmarktstr. 8
32825 Blomberg, Germany
Phone +49 5235 3 12000
Fax +49 5235 3 41200
<http://www.phoenixcontact.de>



© 2010 Phoenix Contact
Technical modifications reserved;