

## Excellent Integrated System Limited

Stocking Distributor

Click to view price, real time Inventory, Delivery & Lifecycle Information:

[Phoenix Contact](#)  
[1700994](#)

For any questions, you can email us directly:

[sales@integrated-circuit.com](mailto:sales@integrated-circuit.com)



Extract from the online catalog


## CIOC 4-24-1,0-M

Order No.: 1700994



<http://eshop.phoenixcontact.de/phoenix/treeViewClick.do?UID=1700994>

Plug component, Nominal current: 3 A, Number of positions: 4, Pitch: 2 mm, Color: red, Metal surface: Au

Commercial data	
GTIN (EAN)	 4 046356 030281
sales group	E194
Pack	50 pcs.
Customs tariff	85366990
Catalog page information	Page 175 (NTK-2010)

### Product notes

WEEE/RoHS-compliant since:  
02/25/2005



<http://www.download.phoenixcontact.com>  
Please note that the data given here has been taken from the online catalog. For comprehensive information and data, please refer to the user documentation. The General Terms and Conditions of Use apply to Internet downloads.

## Technical data

Dimensions / positions	
Pitch	2 mm
Dimension a	6 mm
Number of positions	4

CIOC 4-24-1,0-M Order No.: 1700994

<http://eshop.phoenixcontact.de/phoenix/treeViewClick.do?UID=1700994>

**Technical data**

Range of articles	CIOC-M
Connection in acc. with standard	EN-VDE
Nominal current $I_N$	3 A
Nominal voltage $U_N$	32 V
Maximum load current	3 A
Insulating material	PBT/PC
Inflammability class acc. to UL 94	V0

**Connection data**

Conductor cross section stranded min.	0.14 mm <sup>2</sup>
Conductor cross section stranded max.	0.25 mm <sup>2</sup>
Conductor cross section AWG/kcmil min.	26
Conductor cross section AWG/kcmil max	24

**Certificates / Approvals**

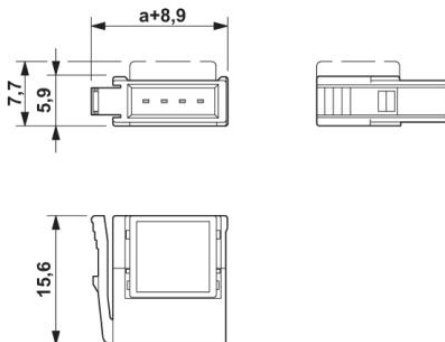


Certification

CUL, UL

**Diagrams/Drawings**

Dimensioned drawing



CIOC 4-24-1,0-M Order No.: 1700994

<http://eshop.phoenixcontact.de/phoenix/treeViewClick.do?UID=1700994>

---

#### Address

PHOENIX CONTACT Deutschland GmbH  
Flachsmarktstr. 8  
32825 Blomberg, Germany  
Phone +49 5235 3 12000  
Fax +49 5235 3 41200  
<http://www.phoenixcontact.de>



© 2010 Phoenix Contact  
Technical modifications reserved;