

Excellent Integrated System Limited

Stocking Distributor

Click to view price, real time Inventory, Delivery & Lifecycle Information:

[Phoenix Contact](#)
[3240112](#)

For any questions, you can email us directly:

sales@integrated-circuit.com



Extract from the online catalog

C-RC 50/M10 DIN

Order No.: 3240112



<http://eshop.phoenixcontact.de/phoenix/treeViewClick.do?UID=3240112>

Ring cable lug, non-insulated, 50 mm², M10

Commercial data	
GTIN (EAN)	 4 046356 453295
sales group	B282
Pack	100 pcs.
Customs tariff	85369010
Catalog page information	Page 670 (CL-2009)

Product notes

WEEE/RoHS-compliant since:
09/24/2008



<http://www.download.phoenixcontact.com>
 Please note that the data given here has been taken from the online catalog. For comprehensive information and data, please refer to the user documentation. The General Terms and Conditions of Use apply to Internet downloads.

Technical data	
General	
Length (b)	43 mm
Width (a)	18 mm
Color	silver
Ambient temperature (operation)	110 °C
Material	Copper

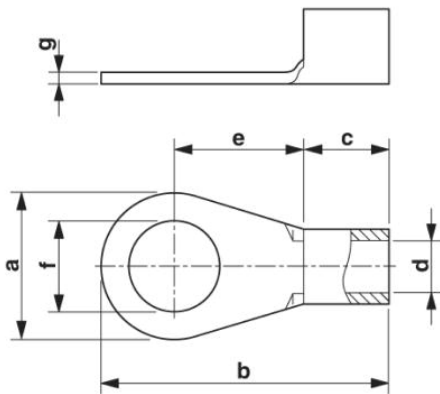
C-RC 50/M10 DIN Order No.: 3240112

<http://eshop.phoenixcontact.de/phoenix/treeViewClick.do?UID=3240112>

Length of insulation sleeve (c)	16 mm
Inner dimension of the insulating collar (d)	11 mm
Distance between the center and the insulation sleeve (e)	18 mm
Inner diameter (f)	10.5 mm
Material thickness (g)	1.8 mm

Diagrams/Drawings

Dimensioned drawing



C-RC 50/M10 DIN Order No.: 3240112

<http://eshop.phoenixcontact.de/phoenix/treeViewClick.do?UID=3240112>

Address

PHOENIX CONTACT Deutschland GmbH
Flachsmarktstr. 8
32825 Blomberg, Germany
Phone +49 5235 3 12000
Fax +49 5235 3 41200
<http://www.phoenixcontact.de>



© 2011 Phoenix Contact
Technical modifications reserved;