

## Excellent Integrated System Limited

Stocking Distributor

Click to view price, real time Inventory, Delivery & Lifecycle Information:

[Phoenix Contact](#)  
[2764043](#)

For any questions, you can email us directly:  
[sales@integrated-circuit.com](mailto:sales@integrated-circuit.com)



Extract from the online catalog


## EG 22,5-G/ABS GN

Order No.: 2764043



<http://eshop.phoenixcontact.de/phoenix/treeViewClick.do?UID=2764043>

Lower housing part, with snap-on foot

Commercial data	
GTIN (EAN)	 4 017918 065805
sales group	F020
Pack	10 pcs.
Customs tariff	85369010
Catalog page information	Page 568 (CC-2009)

### Product notes

WEEE/RoHS-compliant since:  
01/01/2003



<http://www.download.phoenixcontact.com>  
 Please note that the data given here has been taken from the online catalog. For comprehensive information and data, please refer to the user documentation. The General Terms and Conditions of Use apply to Internet downloads.

Technical data	
<b>General</b>	
Housing type	Component housing
Housing material	Acryl butadiene styrene (ABS)
Color	green

EG 22,5-G/ABS GN Order No.: 2764043

<http://eshop.phoenixcontact.de/phoenix/treeViewClick.do?UID=2764043>
**Dimensions / positions**

Length	75 mm
Width	22.5 mm
Number of positions	8

**Technical data**

Ambient temperature (operation)	-40 °C ... 80 °C
Inflammability class acc. to UL 94	HB
Power dissipation at 20°C in the horizontal mounting position	1.7 W 2.7 W

**Accessories**

Item	Designation	Description
------	-------------	-------------

**Assembly**

1909236	FKCT 2,5/ 4-ST	Plug component, Nominal current: 12 A, Rated voltage (III/2): 320 V, Number of positions: 4, Pitch: 5 mm, Color: green, Metal surface: Sn
---------	----------------	---

**General**

1902136	FKCT 2,5/ 4-ST-5,08	Plug component, Nominal current: 12 A, Rated voltage (III/2): 320 V, Number of positions: 4, Pitch: 5.08 mm, Color: green, Metal surface: Sn
1721045	MKKDSH 3/ 2	PC terminal block, Nominal current: 24 A, Nom. voltage: 250 V, Pitch: 5 mm, Number of positions: 2, Type of connection: Screw connection, Mounting: Soldering, Conductor/PCB connection direction: 0 °, Color: green, The article can be aligned to create different nos. of positions!
1721346	MKKDSH 3/ 3	PC terminal block, Nominal current: 24 A, Nom. voltage: 250 V, Pitch: 5 mm, Number of positions: 3, Type of connection: Screw connection, Mounting: Soldering, Conductor/PCB connection direction: 0 °, Color: green, The article can be aligned to create different nos. of positions!
1706374	MKKDSH 3/ 4 O.Z.	PC terminal block, Pitch: 5 mm, Number of positions: 4, Type of connection: Screw connection, Conductor/PCB connection direction: 0 °, Color: green
1850453	MSTBO 2,5/ 4-GL-5,08	Header, Nominal current: 8 A, Rated voltage (III/2): 320 V, Number of positions: 4, Pitch: 5.08 mm, Color: green, Metal surface: Sn, Assembly: Soldering
1792540	MVSTBW 2,5/ 4-ST	Plug component, Nominal current: 12 A, Rated voltage (III/2): 320 V, Number of positions: 4, Pitch: 5 mm, Color: green, Metal surface: Sn
1792773	MVSTBW 2,5/ 4-ST-5,08	Plug component, Nominal current: 12 A, Rated voltage (III/2): 320 V, Number of positions: 4, Pitch: 5.08 mm, Color: green, Metal surface: Sn

EG 22,5-G/ABS GN Order No.: 2764043

<http://eshop.phoenixcontact.de/phoenix/treeViewClick.do?UID=2764043>

**Plug/Adapter**

1734634	CP-MSTB	Keying profile, is inserted into the slot on the plug or inverted header, red insulating material
1734634	CP-MSTB	Keying profile, is inserted into the slot on the plug or inverted header, red insulating material
1734401	CR-MSTB	Coding section, inserted into the recess in the header or the inverted plug, red insulating material
1734401	CR-MSTB	Coding section, inserted into the recess in the header or the inverted plug, red insulating material
1784299	MVSTBW 2,5/ 4-STEHL	Plug component, Nominal current: 12 A, Rated voltage (III/2): 320 V, Number of positions: 4, Pitch: 5 mm, Color: green, Metal surface: Sn

**Additional products**

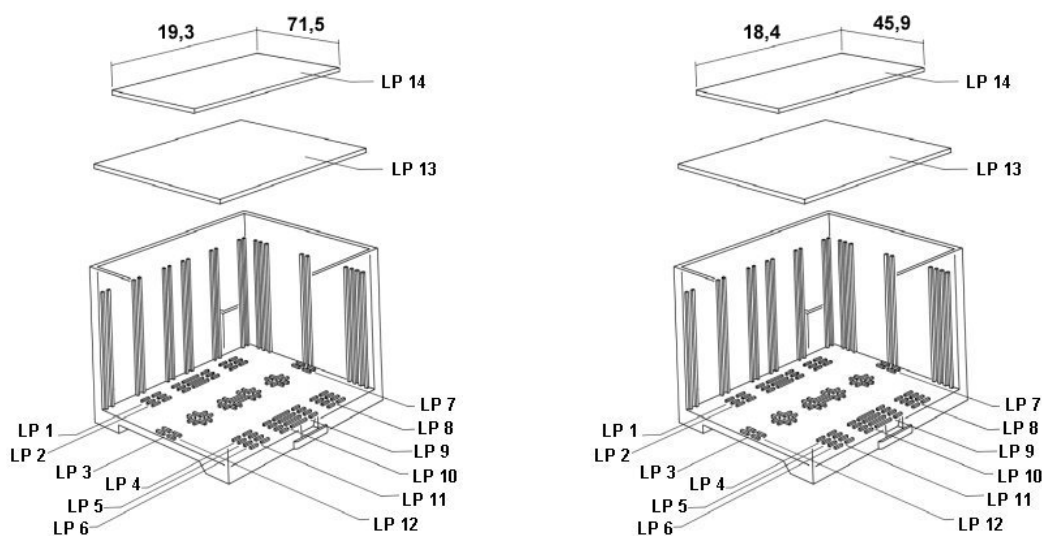
Item	Designation	Description
------	-------------	-------------

**General**

2764072	EG 22,5-A/ABS GN	Housing cover,for connection on both sides
2907046	EG 22,5-AE/ABS GN	Housing cover, for connection on one side
2906636	EG 22,5-AG/ABS GN	Housing cover, closed

**Diagrams/Drawings**

Explosion drawing

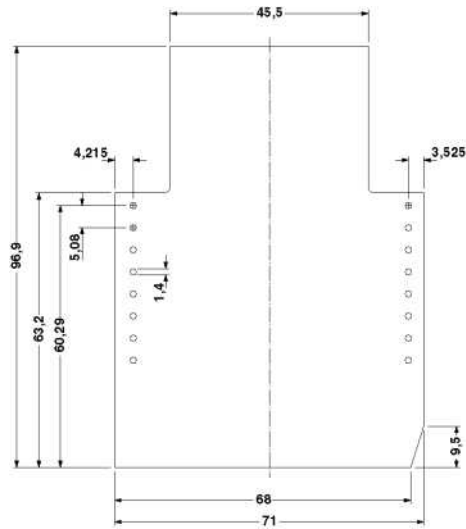
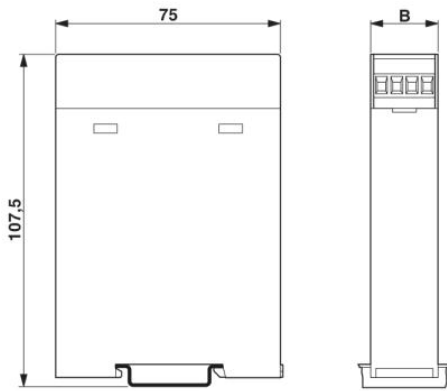


valid for PCB 13

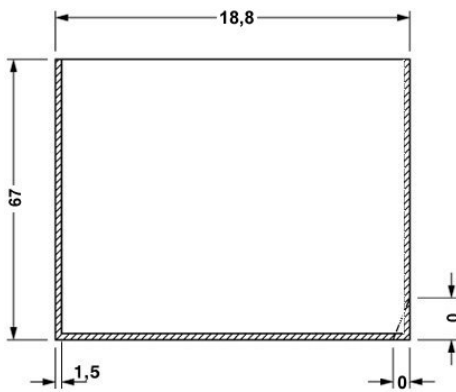
valid for PCB 14

EG 22,5-G/ABS GN Order No.: 2764043  
<http://eshop.phoenixcontact.de/phoenix/treeViewClick.do?UID=2764043>

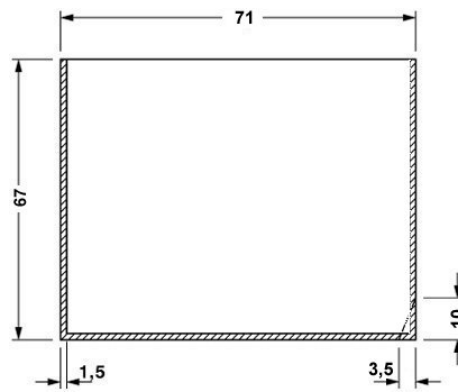
Dimensioned drawing



Component mounting side, if the double-level upper part is used



valid for PCB 1, see explosion drawing



valid for PCB 7, see explosion drawing

EG 22,5-G/ABS GN Order No.: 2764043

<http://eshop.phoenixcontact.de/phoenix/treeViewClick.do?UID=2764043>

---

#### Address

PHOENIX CONTACT Deutschland GmbH  
Flachsmarktstr. 8  
32825 Blomberg, Germany  
Phone +49 5235 3 12000  
Fax +49 5235 3 41200  
<http://www.phoenixcontact.de>



© 2010 Phoenix Contact  
Technical modifications reserved;