



## **Excellent Integrated System Limited**

Stocking Distributor

Click to view price, real time Inventory, Delivery & Lifecycle Information:

[Phoenix Contact](#)  
[2764140](#)

For any questions, you can email us directly:  
[sales@integrated-circuit.com](mailto:sales@integrated-circuit.com)



Extract from the online catalog

## EG 45-G/ABS GN


Order No.: 2764140

Illustration shows a fully mounted version of the electronic housing




<http://eshop.phoenixcontact.de/phoenix/treeViewClick.do?UID=2764140>

Lower housing part, with snap-on foot

Commercial data	
GTIN (EAN)	 4 017918 065850
sales group	F020
Pack	10 pcs.
Customs tariff	85369010
Catalog page information	Page 569 (CC-2009)

**Product notes**

WEEE/RoHS-compliant since:  
01/01/2003



<http://www.download.phoenixcontact.com>  
 Please note that the data given here has been taken from the online catalog. For comprehensive information and data, please refer to the user documentation. The General Terms and Conditions of Use apply to Internet downloads.

Technical data	
<b>General</b>	
Housing type	Component housing
Housing material	Acryl butadiene styrene (ABS)
Color	green

EG 45-G/ABS GN Order No.: 2764140

<http://eshop.phoenixcontact.de/phoenix/treeViewClick.do?UID=2764140>
**Dimensions / positions**

Length	75 mm
Width	45 mm
Number of positions	16

**Technical data**

Ambient temperature (operation)	-40 °C ... 80 °C
Inflammability class acc. to UL 94	HB
Power dissipation at 20°C in the horizontal mounting position	3.4 W 6.1 W

**Accessories**

Item	Designation	Description
------	-------------	-------------

**Assembly**

1909278	FKCT 2,5/ 8-ST	Plug component, Nominal current: 12 A, Rated voltage (III/2): 320 V, Number of positions: 8, Pitch: 5 mm, Color: green, Metal surface: Sn
---------	----------------	---

**General**

1902178	FKCT 2,5/ 8-ST-5,08	Plug component, Nominal current: 12 A, Rated voltage (III/2): 320 V, Number of positions: 8, Pitch: 5.08 mm, Color: green, Metal surface: Sn
1721045	MKKDSH 3/ 2	PC terminal block, Nominal current: 24 A, Nom. voltage: 250 V, Pitch: 5 mm, Number of positions: 2, Type of connection: Screw connection, Mounting: Soldering, Conductor/PCB connection direction: 0 °, Color: green, The article can be aligned to create different nos. of positions!
1721346	MKKDSH 3/ 3	PC terminal block, Nominal current: 24 A, Nom. voltage: 250 V, Pitch: 5 mm, Number of positions: 3, Type of connection: Screw connection, Mounting: Soldering, Conductor/PCB connection direction: 0 °, Color: green, The article can be aligned to create different nos. of positions!
1703283	MKKDSH 3/ 8	PC terminal block, Nominal current: 24 A, Nom. voltage: 250 V, Pitch: 5 mm, Number of positions: 8, Type of connection: Screw connection, Conductor/PCB connection direction: 0 °, Color: green, The article can be aligned to create different nos. of positions!
1850495	MSTBO 2,5/ 8-GL-5,08	Header, Nominal current: 8 A, Rated voltage (III/2): 320 V, Number of positions: 8, Pitch: 5.08 mm, Color: green, Metal surface: Sn, Assembly: Soldering
1792582	MVSTBW 2,5/ 8-ST	Plug component, Nominal current: 12 A, Rated voltage (III/2): 320 V, Number of positions: 8, Pitch: 5 mm, Color: green, Metal surface: Sn

EG 45-G/ABS GN Order No.: 2764140

<http://eshop.phoenixcontact.de/phoenix/treeViewClick.do?UID=2764140>

1792812	MVSTBW 2,5/ 8-ST-5,08	Plug component, Nominal current: 12 A, Rated voltage (III/2): 320 V, Number of positions: 8, Pitch: 5.08 mm, Color: green, Metal surface: Sn
---------	-----------------------	--

**Plug/Adapter**

1734634	CP-MSTB	Keying profile, is inserted into the slot on the plug or inverted header, red insulating material
1734634	CP-MSTB	Keying profile, is inserted into the slot on the plug or inverted header, red insulating material
1734401	CR-MSTB	Coding section, inserted into the recess in the header or the inverted plug, red insulating material
1734401	CR-MSTB	Coding section, inserted into the recess in the header or the inverted plug, red insulating material
1784309	MVSTBW 2,5/ 8-STEH	Plug component, Nominal current: 12 A, Rated voltage (III/2): 320 V, Number of positions: 8, Pitch: 5 mm, Color: green, Metal surface: Sn

**Additional products**

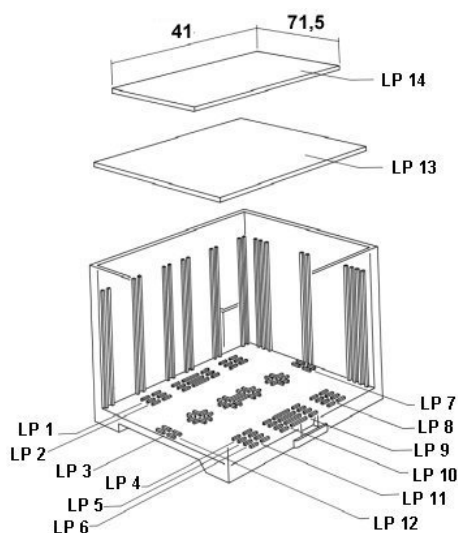
Item	Designation	Description
<b>General</b>		
2764179	EG 45-A/ABS GN	Housing cover,for connection on both sides
2764409	EG 45-AE/ABS GN	Housing cover, for connection on one side
2907363	EG 45-AG/ABS GN	Housing cover, closed

EG 45-G/ABS GN Order No.: 2764140

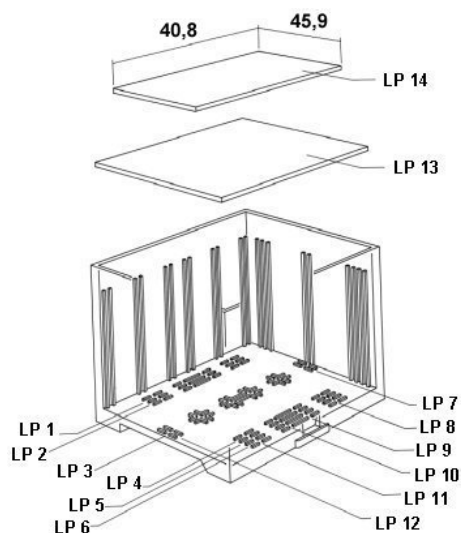
<http://eshop.phoenixcontact.de/phoenix/treeViewClick.do?UID=2764140>

**Diagrams/Drawings**

Explosion drawing

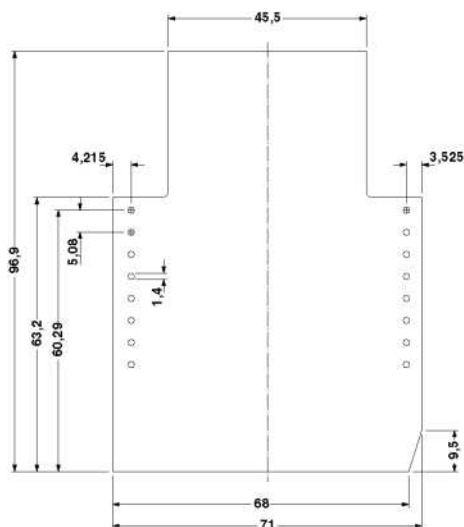
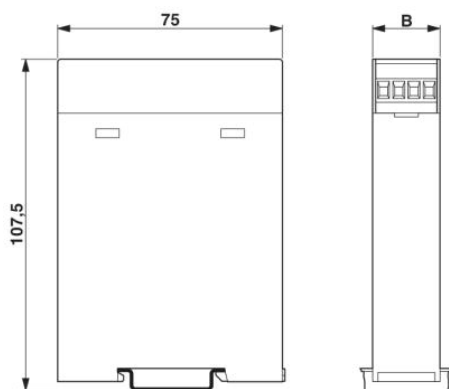


valid for PCB 13



valid for PCB 14

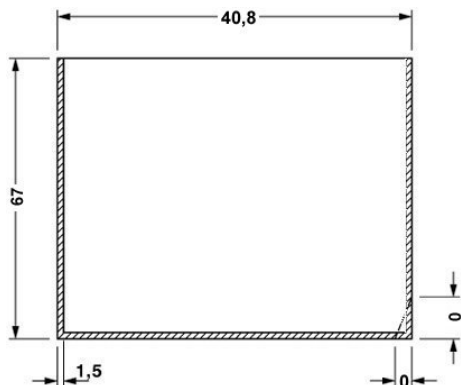
Dimensioned drawing



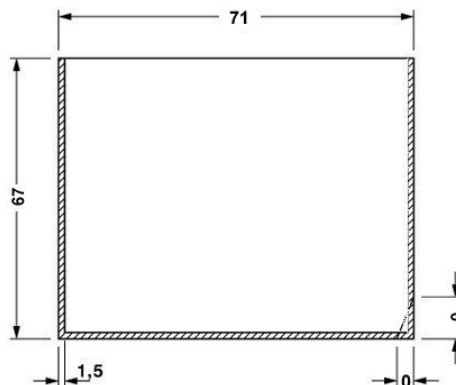
Component mounting side, if the double-level upper part is used

EG 45-G/ABS GN Order No.: 2764140

<http://eshop.phoenixcontact.de/phoenix/treeViewClick.do?UID=2764140>

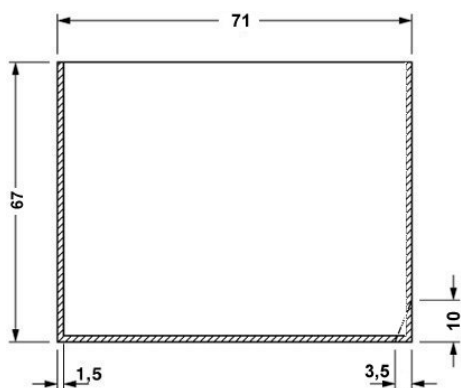


valid for PCB 1; 3; 5 and 6, see explosion drawing



valid for PCB 7 and 12, see explosion drawing

valid for PCB 10, see explosion drawing



EG 45-G/ABS GN Order No.: 2764140  
<http://eshop.phoenixcontact.de/phoenix/treeViewClick.do?UID=2764140>

---

**Address**

PHOENIX CONTACT Deutschland GmbH  
Flachsmarktstr. 8  
32825 Blomberg, Germany  
Phone +49 5235 3 12000  
Fax +49 5235 3 41200  
<http://www.phoenixcontact.de>



© 2010 Phoenix Contact  
Technical modifications reserved;