

## Excellent Integrated System Limited

Stocking Distributor

Click to view price, real time Inventory, Delivery & Lifecycle Information:

[Phoenix Contact](#)  
[2964461](#)

For any questions, you can email us directly:

[sales@integrated-circuit.com](mailto:sales@integrated-circuit.com)

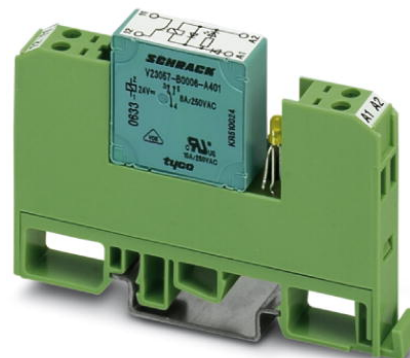


Extract from the online catalog

## EMG 10-REL/KSR-120/ 1-LC AU

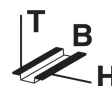
Order No.: 2964461


The illustration shows version EMG 10-REL/KSR-G 24/1-LC AU, with soldered-in miniature switching relay



<http://eshop.phoenixcontact.de/phoenix/treeViewClick.do?UID=2964461>

Relay module, with soldered-in miniature switching relay, gold contact for small loads, 1 N/O contact, input voltage 120 V AC/DC



Commercial data	
GTIN (EAN)	4 017918 125134 
Note	Made-to-order
sales group	G030
Pack	10 pcs.
Customs tariff	85364900
Catalog page information	Page 123 (IF-2009)

### Product notes

WEEE/RoHS-compliant since:  
08/10/2006



<http://www.download.phoenixcontact.com>  
 Please note that the data given here has been taken from the online catalog. For comprehensive information and data, please refer to the user documentation. The General Terms and Conditions of Use apply to Internet downloads.

### Technical data

#### Coil side

Nominal input voltage $U_N$	120 V AC/DC
Input voltage range in reference to $U_N$	0.8 ... 1.1
Nominal input current at $U_{IN}$	5 mA
Typical response time	7 ms

EMG 10-REL/KSR-120/ 1-LC AU Order No.: 2964461  
<http://eshop.phoenixcontact.de/phoenix/treeViewClick.do?UID=2964461>

Typical release time	11 ms
Operating voltage display	Yellow LED
Type of protection	Bridge rectifier
Protective circuit/component	Bridge rectifier

**Contact side**

Contact type	Double contact, 1 N/O contact
Contact material	AgPd60 5 µm hard gold-plated
Maximum switching voltage	36 V AC 30 V DC
Minimum switching voltage	100 µV
Maximum inrush current	0.2 A
Min. switching current	20 µA
Limiting continuous current	0.5 A
Interrupting rating (ohmic load) max.	5 W (at 24 V DC)
Note	<b>the following values are applicable if a gold layer is destroyed</b>
Maximum switching voltage	125 V AC
Limiting continuous current	2 A
Maximum inrush current	2 A
Interrupting rating (ohmic load) max.	29 W (at 24 V DC) 29 W (for 48 V DC) 29 W (for 60 V DC)

**General data**

Width	10.6 mm
Height	75 mm
Depth	53.5 mm
Test voltage relay winding/relay contact	4 kV AC (50 Hz, 1 min.)
Ambient temperature (operation)	-20 °C ... 40 °C
Ambient temperature (storage/transport)	-20 °C ... 70 °C
Operating mode	100% operating factor
Mechanical service life	Approx. 2 x 10 <sup>7</sup> cycles
Standards/regulations	IEC 60664 EN 50178 IEC 62103
Rated surge voltage / insulation	4 kV / basic insulation

EMG 10-REL/KSR-120/ 1-LC AU Order No.: 2964461  
<http://eshop.phoenixcontact.de/phoenix/treeViewClick.do?UID=2964461>

Rated insulation voltage	260 V AC
Mounting position	Any
Assembly instructions	In rows with zero spacing

**Connection data**

Type of connection	Screw connection
Conductor cross section solid min.	0.2 mm <sup>2</sup>
Conductor cross section solid max.	4 mm <sup>2</sup>
Conductor cross section stranded min.	0.2 mm <sup>2</sup>
Conductor cross section stranded max.	2.5 mm <sup>2</sup>
Conductor cross section AWG/kcmil min.	24
Conductor cross section AWG/kcmil max	12
Stripping length	8 mm
Screw thread	M3

**Certificates / Approvals**



Certification CUL, GOST, UL

**Accessories**

Item	Designation	Description
------	-------------	-------------

**Marking**

2947585	EMG-SGKS 10	Equipment marker, narrow
---------	-------------	--------------------------

EMG 10-REL/KSR-120/ 1-LC AU Order No.: 2964461

<http://eshop.phoenixcontact.de/phoenix/treeViewClick.do?UID=2964461>

## Diagrams/Drawings

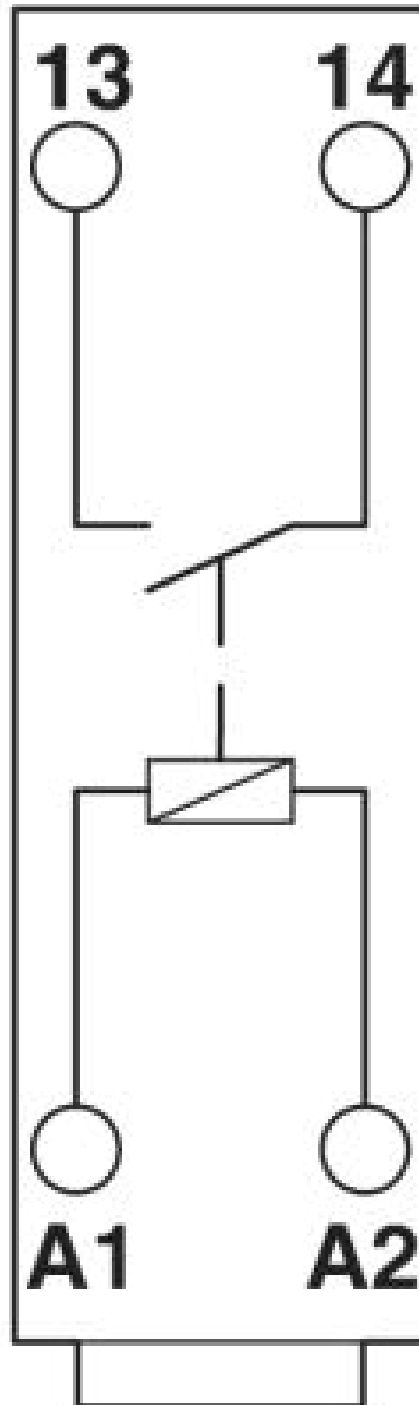
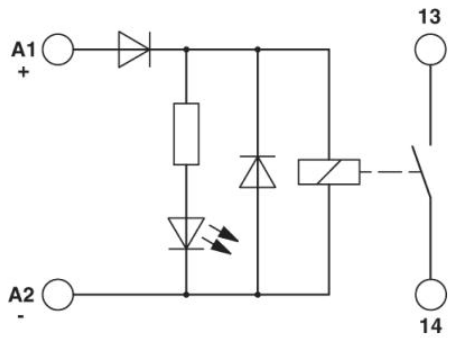
Connection diagram



EMG 10-REL/KSR-120/ 1-LC AU Order No.: 2964461

<http://eshop.phoenixcontact.de/phoenix/treeViewClick.do?UID=2964461>

Circuit diagram



EMG 10-REL/KSR-120/ 1-LC AU Order No.: 2964461

<http://eshop.phoenixcontact.de/phoenix/treeViewClick.do?UID=2964461>

---

**Address**

PHOENIX CONTACT Deutschland GmbH  
Flachsmarktstr. 8  
32825 Blomberg, Germany  
Phone +49 5235 3 12000  
Fax +49 5235 3 41200  
<http://www.phoenixcontact.de>



© 2011 Phoenix Contact  
Technical modifications reserved;