

Excellent Integrated System Limited

Stocking Distributor

Click to view price, real time Inventory, Delivery & Lifecycle Information:

[Phoenix Contact](#)
[2940126](#)

For any questions, you can email us directly:

sales@integrated-circuit.com

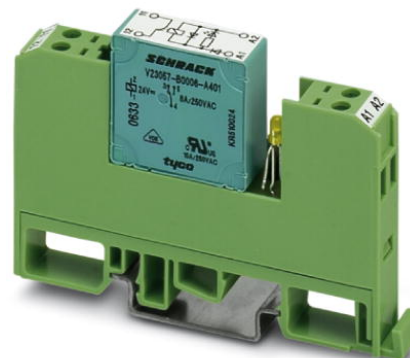


Extract from the online catalog

EMG 10-REL/KSR-G 24/ 2-LC AU

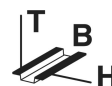
Order No.: 2940126

The illustration shows version EMG 10-REL/KSR-G 24/1-LC, with soldered-in miniature switching relay



<http://eshop.phoenixcontact.de/phoenix/treeViewClick.do?UID=2940126>

Relay module, with soldered-in miniature switching relay, gold contact for small loads, 1 N/C contact, input voltage 24 V DC



Commercial data	
GTIN (EAN)	4 017918 079888
sales group	G030
Pack	10 pcs.
Customs tariff	85364190
Catalog page information	Page 124 (IF-2009)

Product notes

WEEE/RoHS-compliant since:
08/10/2006



<http://www.download.phoenixcontact.com>
 Please note that the data given here has been taken from the online catalog. For comprehensive information and data, please refer to the user documentation. The General Terms and Conditions of Use apply to Internet downloads.

Technical data

Coil side	
Nominal input voltage U_N	24 V DC
Input voltage range in reference to U_N	0.8 ... 1.1
Nominal input current at U_{IN}	21 mA
Typical response time	7 ms

EMG 10-REL/KSR-G 24/ 2-LC AU Order No.: 2940126
<http://eshop.phoenixcontact.de/phoenix/treeViewClick.do?UID=2940126>

Typical release time	11 ms
Operating voltage display	Yellow LED
Type of protection	Protection against polarity reversal
Protective circuit/component	Polarity protection diode

Contact side

Contact type	Double contact, 1 N/C contact
Contact material	AgPd60 5 µm hard gold-plated
Maximum switching voltage	30 V AC 36 V DC
Maximum inrush current	0.2 A
Limiting continuous current	0.5 A
Interrupting rating (ohmic load) max.	5 W (at 24 V DC)
Note	the following values are applicable if a gold layer is destroyed
Maximum switching voltage	125 V AC
Limiting continuous current	2 A
Maximum inrush current	2 A
Interrupting rating (ohmic load) max.	29 W (at 24 V DC) 29 W (for 48 V DC) 29 W (for 60 V DC)

General data

Width	10.6 mm
Height	75 mm
Depth	53.5 mm
Test voltage relay winding/relay contact	4 kV AC (50 Hz, 1 min.)
Ambient temperature (operation)	-20 °C ... 40 °C
Ambient temperature (storage/transport)	-20 °C ... 70 °C
Operating mode	100% operating factor
Mechanical service life	Approx. 2 x 10 ⁷ cycles
Standards/regulations	IEC 60664 EN 50178 IEC 62103
Rated surge voltage / insulation	Basic insulation
Pollution degree	2
Surge voltage category	III

EMG 10-REL/KSR-G 24/ 2-LC AU Order No.: 2940126
<http://eshop.phoenixcontact.de/phoenix/treeViewClick.do?UID=2940126>

Mounting position	Any
Assembly instructions	In rows with zero spacing

Connection data

Type of connection	Screw connection
Conductor cross section solid min.	0.2 mm ²
Conductor cross section solid max.	4 mm ²
Conductor cross section stranded min.	0.2 mm ²
Conductor cross section stranded max.	2.5 mm ²
Conductor cross section AWG/kcmil min.	24
Conductor cross section AWG/kcmil max	12
Stripping length	8 mm
Screw thread	M3

Certificates / Approvals



Certification GOST

Accessories

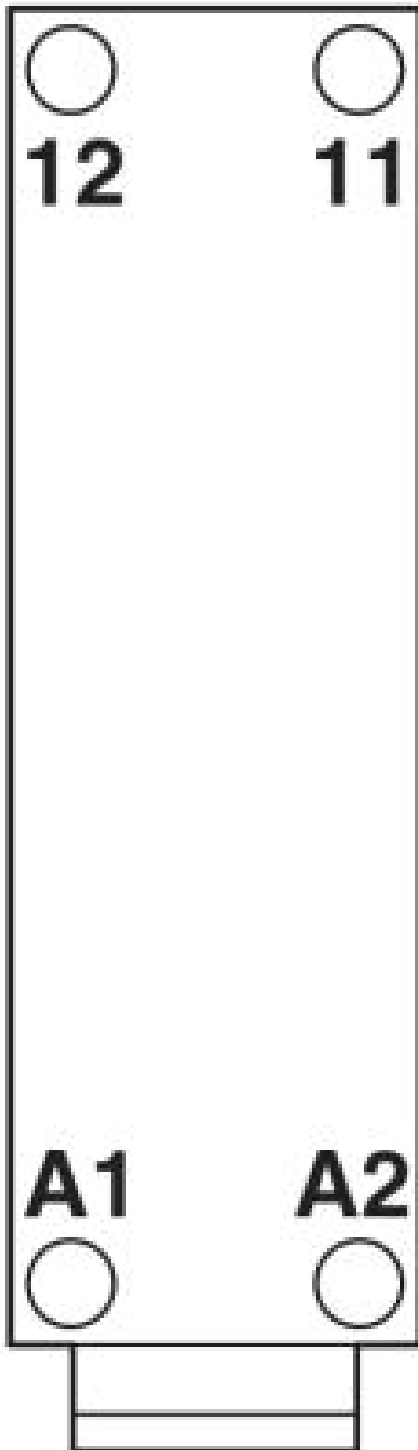
Item	Designation	Description
Marking		
2947585	EMG-SGKS 10	Equipment marker, narrow

EMG 10-REL/KSR-G 24/ 2-LC AU Order No.: 2940126

<http://eshop.phoenixcontact.de/phoenix/treeViewClick.do?UID=2940126>

Diagrams/Drawings

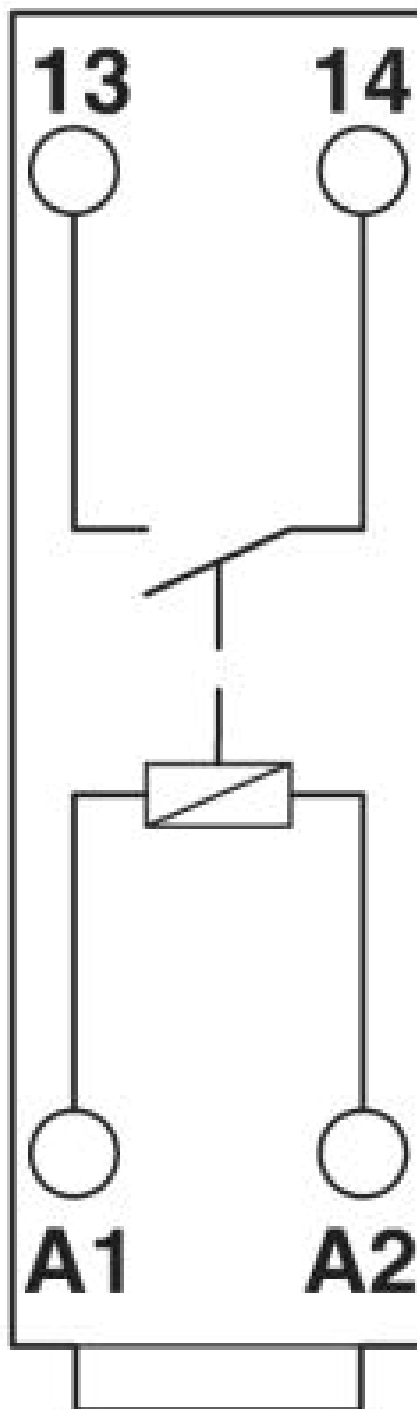
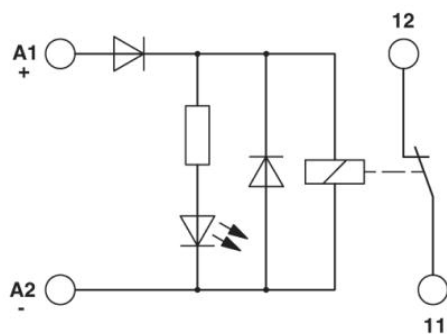
Connection diagram



EMG 10-REL/KSR-G 24/ 2-LC AU Order No.: 2940126

<http://eshop.phoenixcontact.de/phoenix/treeViewClick.do?UID=2940126>

Circuit diagram



EMG 10-REL/KSR-G 24/ 2-LC AU Order No.: 2940126

<http://eshop.phoenixcontact.de/phoenix/treeViewClick.do?UID=2940126>

Address

PHOENIX CONTACT Inc., USA
586 Fulling Mill Road
Middletown, PA 17057, USA
Phone (800) 888-7388
Fax (717) 944-1625
<http://www.phoenixcon.com>



© 2011 Phoenix Contact
Technical modifications reserved;