

## Excellent Integrated System Limited

Stocking Distributor

Click to view price, real time Inventory, Delivery & Lifecycle Information:

[Phoenix Contact](#)  
[2952172](#)

For any questions, you can email us directly:

[sales@integrated-circuit.com](mailto:sales@integrated-circuit.com)



Extract from the online catalog

## EMG 45-REL/IR-G 24/HWR

Order No.: 2952172



<http://eshop.phoenixcontact.de/phoenix/treeViewClick.do?UID=2952172>

Relay module, with soldered-in industrial relay, contact: 2 PDTs, for multi-input fault warnings, with input diode array in P polarity (6 diodes 1N4007) and capacitor parallel to the coil as well as a multi-input light indicator, input voltage 24 V DC



Commercial data	
GTIN (EAN)	 4 017918 084349
Note	Made-to-order
sales group	G037
Pack	5 pcs.
Customs tariff	85364190
Catalog page information	Page 117 (IF-2005)

### Product notes

WEEE/RoHS-compliant since:  
08/10/2006



<http://www.download.phoenixcontact.com>  
Please note that the data given here has been taken from the online catalog. For comprehensive information and data, please refer to the user documentation. The General Terms and Conditions of Use apply to Internet downloads.

## Technical data

Coil side	
Nominal input voltage $U_N$	24 V DC
Input voltage range in reference to $U_N$	0.85 ... 1.1
Nominal input current at $U_{IN}$	Approx. 31 mA

EMG 45-REL/IR-G 24/HWR Order No.: 2952172

<http://eshop.phoenixcontact.de/phoenix/treeViewClick.do?UID=2952172>

Typical response time	Approx. 14 ms
Typical release time	Approx. 16 ms
Coil resistance	777 Ω
Nominal power consumption	Approx. 740 mW
Operating voltage display	LED red
Type of protection	Decoupling diodes
Protective circuit/component	Decoupling diodes
Diode type	1 N 4007
Max. operating voltage of diodes	250 V AC
Peak reverse voltage per diode	1300 V
Reverse current per diode	30 μA
Conducting state voltage per diode	Approx. 0.8 V
Conducting state current per diode	0.7 A (with single load)
	0.2 A (with simultaneous loads)

**Contact side**

Contact type	Single contact, 2-PDT
Contact material	AgNi
Maximum switching voltage	250 V AC/DC
Maximum inrush current	5 A
Limiting continuous current	3 A
Interrupting rating (ohmic load) max.	750 VA

**General data**

Width	45 mm
Height	75 mm
Depth	82.5 mm
Test voltage relay winding/relay contact	2 kV AC (50 Hz, 1 min.)
Ambient temperature (operation)	-20 °C ... 50 °C
Ambient temperature (storage/transport)	-20 °C ... 70 °C
Mechanical service life	> 10 <sup>7</sup> cycles
Standards/regulations	DIN VDE 0110b, Gr. C for 250 V DC
	DIN EN 50178/DIN VDE 0160 (in relevant parts)
Pollution degree	2
Surge voltage category	II
Mounting position	Any
Assembly instructions	In rows with zero spacing

EMG 45-REL/IR-G 24/HWR Order No.: 2952172

<http://eshop.phoenixcontact.de/phoenix/treeViewClick.do?UID=2952172>

### Connection data

Type of connection	Screw connection
Conductor cross section solid min.	0.2 mm <sup>2</sup>
Conductor cross section solid max.	4 mm <sup>2</sup>
Conductor cross section stranded min.	0.2 mm <sup>2</sup>
Conductor cross section stranded max.	2.5 mm <sup>2</sup>
Conductor cross section AWG/kcmil min.	24
Conductor cross section AWG/kcmil max	12
Stripping length	8 mm
Screw thread	M3

### Certificates / Approvals

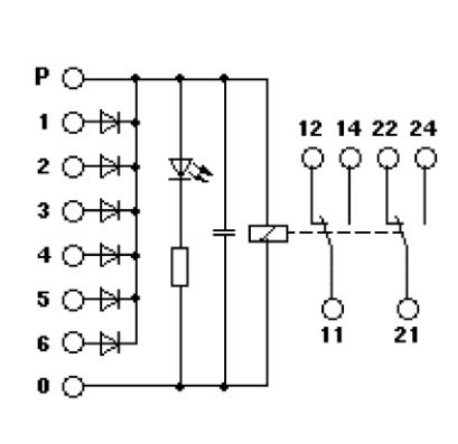


Certification

GOST

### Diagrams/Drawings

Circuit diagram



EMG 45-REL/IR-G 24/HWR Order No.: 2952172

<http://eshop.phoenixcontact.de/phoenix/treeViewClick.do?UID=2952172>

---

**Address**

PHOENIX CONTACT Deutschland GmbH  
Flachsmarktstr. 8  
32825 Blomberg, Germany  
Phone +49 5235 3 12000  
Fax +49 5235 3 41200  
<http://www.phoenixcontact.de>



© 2011 Phoenix Contact  
Technical modifications reserved;