

## Excellent Integrated System Limited

Stocking Distributor

Click to view price, real time Inventory, Delivery & Lifecycle Information:

[Phoenix Contact](#)  
[2861881](#)

For any questions, you can email us directly:  
[sales@integrated-circuit.com](mailto:sales@integrated-circuit.com)



Extract from the online catalog

## IB IL 24/230 DOR1/W-PAC

Order No.: 2861881




<http://eshop.phoenixcontact.de/phoenix/treeViewClick.do?UID=2861881>

Inline digital output terminal block, complete with accessories (connector and labeling field), 1 relay PDT contact gold contact, 5 - 253 V AC, 3 A



### Commercial data

GTIN (EAN)	 4 017918 894580
sales group	K411
Pack	1 pcs.
Customs tariff	85389091
Catalog page information	Page 279 (AX-2009)

### Product notes

WEEE/RoHS-compliant since: 07/09/2007



<http://www.download.phoenixcontact.com>  
Please note that the data given here has been taken from the online catalog. For comprehensive information and data, please refer to the user documentation. The General Terms and Conditions of Use apply to Internet downloads.

### Product description

The digital output terminals are designed for the connection of digital actuators, such as electromagnetic valves, contactors or visual indicators.

All the typical applications are covered by the standard automation terminals.

The I/O equipment is connected by a simple or an extended Inline connector, depending on the number of channels. The multi-wire connection method is available in both cases.

IB IL 24/230 DOR1/W-PAC Order No.: 2861881  
<http://eshop.phoenixcontact.de/phoenix/treeViewClick.do?UID=2861881>

The Inline relay terminal makes it possible to switch any I/O voltage up to a maximum of 230 V AC.

Therefore, a relay with a floating PDT contact is integrated in the terminal. Connection to the I/O devices is made with a simple Inline connector.

The Inline terminals can be labeled using hinged labeling fields. The fields have insert cards that can be labeled individually to suit the application. Additionally, there is the proven ZBFM-6... Zack strip for labeling the terminal points.

### Technical data

#### General data

Width	12.2 mm
Height	119.8 mm
Depth	71.5 mm
Note on dimensions	Housing dimensions
Weight	46 g
Note on weight specifications	Without plug
Mounting type	DIN rail
Ambient temperature (operation)	-25 °C ... 55 °C
Ambient temperature (storage/transport)	-25 °C ... 85 °C
Permissible humidity (operation)	75 % ... 85 % (in the range of -25°C ... +55°C, appropriate measures against increased humidity (> 85%) must be taken.)
Permissible humidity (storage/transport)	75 % ... 85 % (slight temporary condensation may sometimes appear on the housing)
Air pressure (operation)	70 kPa ... 106 kPa (up to 3000 m above sea level)
Air pressure (storage/transport)	70 kPa ... 106 kPa (up to 3000 m above sea level)
Degree of protection	IP20
Protection class	I, IEC 61140, EN 61140, VDE 0140-1
Test section	Relay contact / Bus logics 4 kV 50 Hz 1 min
	Contact to contact 1 kV 50 Hz 1 min
	Contact / PE 1 kV 50 Hz 1 min

#### Interface

Name	Local bus
Type of connection	Inline data jumper
Transmission speed	500 kBaud

#### Power supply for module electronics

Supply voltage	24 V DC (nominal value)
Supply voltage range	19.2 V DC ... 30 V DC (including all tolerances, including ripple)
Communications power $U_L$	7.5 V (via voltage jumper)

IB IL 24/230 DOR1/W-PAC Order No.: 2861881  
<http://eshop.phoenixcontact.de/phoenix/treeViewClick.do?UID=2861881>

Current consumption	max. 60 mA (from the local bus)
Power consumption	max. 0.45 W (from the local bus)

**Inline potential routing**

Communications power $U_L$	7.5 V
Current consumption from $U_L$	max. 60 mA
Segment supply voltage $U_s$	24 V DC (nominal value)

**Digital outputs**

Output name	Relay output
Type of connection	Spring-cage connection
Connection method	Floating SPDT relay contact
Number of outputs	1
Maximum output current per channel	3 A
Maximum output current per module	3 A

**Certificates / Approvals**



Certification ABS, BV, CUL, DNV, GL, GOST, LR, UL

Certification Ex: CUL-EX LIS, UL-EX LIS

**Accessories**

Item	Designation	Description
<b>General</b>		
2742641	IB IL DOR LV-SET	Inline distance terminal, without accessories
2742641	IB IL DOR LV-SET	Inline distance terminal, without accessories
2861645	IB IL DOR LV-SET-PAC	Inline distance terminal, complete with accessories

**Marking**

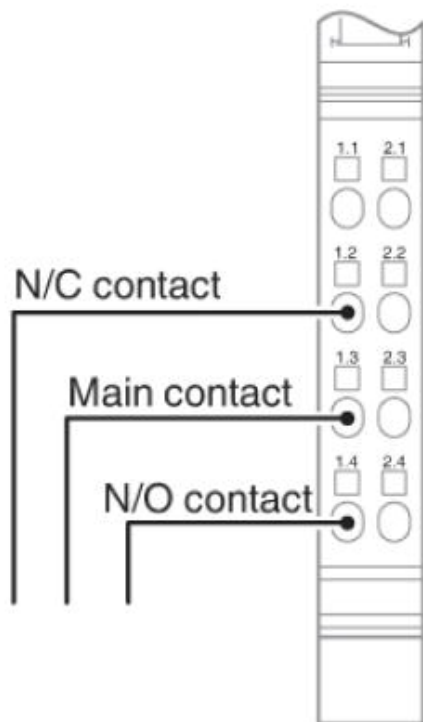
0809492	ESL 62X10	Insert strip for laser printer, lettering field: 62 x 10 mm
0809502	ESL 62X46	Insert strip for laser printer, lettering field: 62 x 46 mm
2727501	IB IL FIELD 2	Labeling field, width: 12.2 mm

IB IL 24/230 DOR1/W-PAC Order No.: 2861881  
<http://eshop.phoenixcontact.de/phoenix/treeViewClick.do?UID=2861881>

2727515	IB IL FIELD 8	Labeling field, width: 48.8 mm
<b>Plug/Adapter</b>		
2742667	IB IL DOR LV-PLSET	Connector set for distance terminal
2740290	IB IL SCN-8-AC-REL	Plug, for digital 1, 2 or 8-channel Inline terminals with AC voltage

**Diagrams/Drawings**

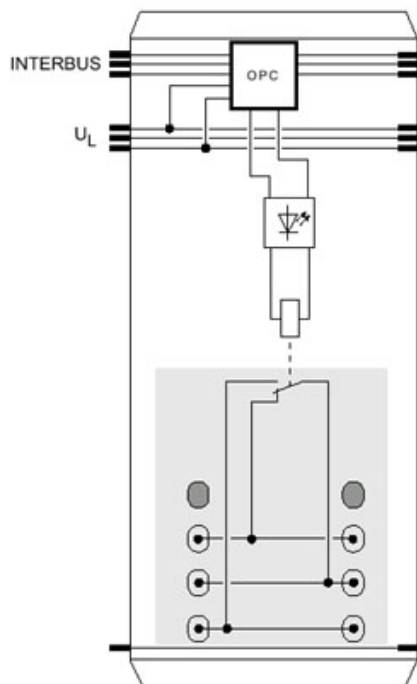
Connection diagram



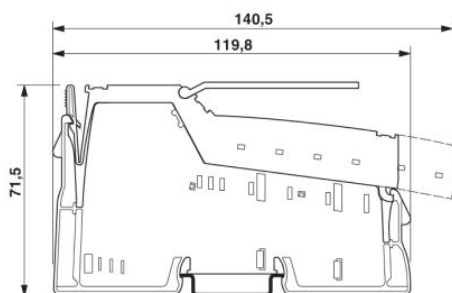
IB IL 24/230 DOR1/W-PAC Order No.: 2861881

<http://eshop.phoenixcontact.de/phoenix/treeViewClick.do?UID=2861881>

Block diagram



Dimensioned drawing



IB IL 24/230 DOR1/W-PAC Order No.: 2861881

<http://eshop.phoenixcontact.de/phoenix/treeViewClick.do?UID=2861881>

---

#### Address

PHOENIX CONTACT Deutschland GmbH  
Flachsmarktstr. 8  
32825 Blomberg, Germany  
Phone +49 5235 3 12000  
Fax +49 5235 3 41200  
<http://www.phoenixcontact.de>



© 2011 Phoenix Contact  
Technical modifications reserved;