

Excellent Integrated System Limited

Stocking Distributor

Click to view price, real time Inventory, Delivery & Lifecycle Information:

[Phoenix Contact](#)
[3063109](#)

For any questions, you can email us directly:

sales@integrated-circuit.com



Extract from the online catalog

KEL-SNAP 24

Order No.: 3063109



<http://eshop.phoenixcontact.de/phoenix/treeViewClick.do?UID=3063109>

Snap-up frame, Length: 155 mm, Width: 64 mm, Height: 38 mm,
Color: black

Commercial data	
GTIN (EAN)	 4 046356 300889
sales group	B240
Pack	10 pcs.
Customs tariff	39174000
Catalog page information	Page 685 (CL-2009)

Product notes

WEEE/RoHS-compliant since:
08/21/2007



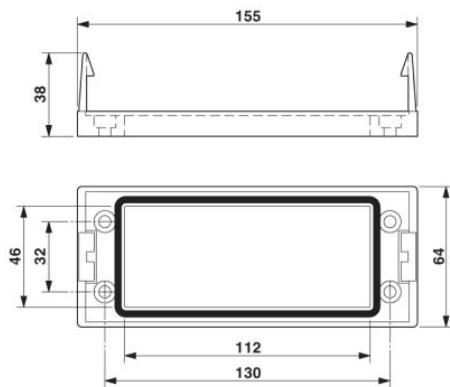
<http://www.download.phoenixcontact.com>
Please note that the data given here has been taken from the online catalog. For comprehensive information and data, please refer to the user documentation. The General Terms and Conditions of Use apply to Internet downloads.

KEL-SNAP 24 Order No.: 3063109

<http://eshop.phoenixcontact.de/phoenix/treeViewClick.do?UID=3063109>

Diagrams/Drawings

Dimensioned drawing



KEL-SNAP 24 Order No.: 3063109

<http://eshop.phoenixcontact.de/phoenix/treeViewClick.do?UID=3063109>

Address

PHOENIX CONTACT Deutschland GmbH
Flachmarktstr. 8
32825 Blomberg, Germany
Phone +49 5235 3 12000
Fax +49 5235 3 41200
<http://www.phoenixcontact.de>



© 2011 Phoenix Contact
Technical modifications reserved;