

Excellent Integrated System Limited

Stocking Distributor

Click to view price, real time Inventory, Delivery & Lifecycle Information:

[Phoenix Contact](#)
[2202505](#)

For any questions, you can email us directly:

sales@integrated-circuit.com



Extract from the online catalog

SKBD 20/MT-FLRP


Order No.: 2202505



<http://eshop.phoenixcontact.de/phoenix/treeViewClick.do?UID=2202505>

Plug component, Number of positions: 20, Pitch: 5 mm, Color: green, Metal surface: Sn

Commercial data

GTIN (EAN)	 4 017918 053277
sales group	E200
Pack	10 pcs.
Customs tariff	85369010
Catalog page information	Page 263 (CC-2002)

Product notes

WEEE/RoHS-compliant since:
01/01/2003



<http://www.download.phoenixcontact.com>
Please note that the data given here has been taken from the online catalog. For comprehensive information and data, please refer to the user documentation. The General Terms and Conditions of Use apply to Internet downloads.

Technical data

Dimensions / positions

Pitch	5 mm
Number of positions	20
Screw thread	M3
Tightening torque, min	0.5 Nm
Tightening torque max	0.6 Nm

SKBD 20/MT-FLRP Order No.: 2202505

<http://eshop.phoenixcontact.de/phoenix/treeViewClick.do?UID=2202505>

Technical data

Range of articles	SKBD
Stripping length	8 mm

Certificates / Approvals

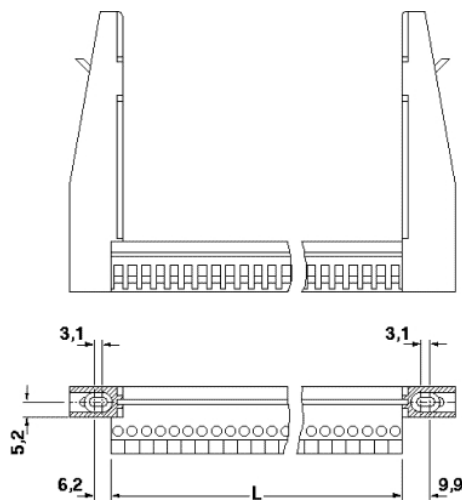


Certification

GOST

Diagrams/Drawings

Dimensioned drawing



SKBD 20/MT-FLRP Order No.: 2202505

<http://eshop.phoenixcontact.de/phoenix/treeViewClick.do?UID=2202505>

Address

PHOENIX CONTACT Deutschland GmbH
Flachsmarktstr. 8
32825 Blomberg, Germany
Phone +49 5235 3 12000
Fax +49 5235 3 41200
<http://www.phoenixcontact.de>



© 2011 Phoenix Contact
Technical modifications reserved;