

## Excellent Integrated System Limited

Stocking Distributor

Click to view price, real time Inventory, Delivery & Lifecycle Information:

[Phoenix Contact](#)  
[3042094](#)

For any questions, you can email us directly:  
[sales@integrated-circuit.com](mailto:sales@integrated-circuit.com)

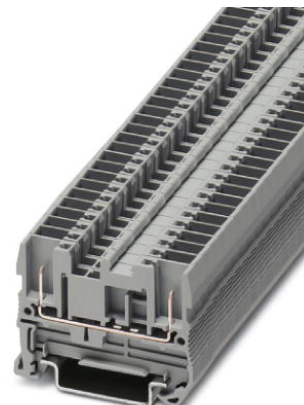


Extract from the online catalog

## ST 2,5/2P BU

Order No.: 3042094


The illustration shows the gray version



<http://eshop.phoenixcontact.de/phoenix/treeViewClick.do?UID=3042094>

Spring-cage modular terminal block, Type of connection: Plug connection, Cross section: 0.08 mm<sup>2</sup> - 4 mm<sup>2</sup>, AWG 28 - 12, Width: 5.2 mm, Color: blue, Mounting type: NS 35/7.5, NS 35/15

### Commercial data

|                          |  |
|--------------------------|--|
| GTIN (EAN)               | <br>4 017918 937188 |
| sales group              | A670   |
| Pack                     | 50 pcs.  |
| Customs tariff           | 85369010   |
| Catalog page information | Page 252 (CL-2009)   |

### Product notes

WEEE/RoHS-compliant since:  
01/01/2003



<http://www.download.phoenixcontact.com>  
Please note that the data given here has been taken from the online catalog. For comprehensive information and data, please refer to the user documentation. The General Terms and Conditions of Use apply to Internet downloads.

### Technical data

#### General

|                       |      |
|-----------------------|------|
| Number of levels      | 1    |
| Number of connections | 2    |
| Color                 | blue |
| Insulating material   | PA   |

ST 2,5/2P BU Order No.: 3042094

<http://eshop.phoenixcontact.de/phoenix/treeViewClick.do?UID=3042094>

|                                    |    |
|------------------------------------|----|
| Inflammability class acc. to UL 94 | V0 |
|------------------------------------|----|

**Dimensions**

|                  |         |
|------------------|---------|
| Width            | 5.2 mm  |
| Length           | 49.1 mm |
| Height NS 35/7.5 | 36.5 mm |
| Height NS 35/15  | 44 mm   |

**Technical data**

|                                  |           |
|----------------------------------|-----------|
| Rated surge voltage              | 6 kV      |
| Pollution degree                 | 3         |
| Surge voltage category           | III       |
| Insulating material group        | I         |
| Connection in acc. with standard | IEC 61984 |
| Nominal current $I_N$            | 24 A      |
| Nominal voltage $U_N$            | 500 V     |

**Connection data**

|   |                      |
|---|----------------------|
| Conductor cross section solid min.  | 0.08 mm <sup>2</sup> |
| Conductor cross section solid max.  | 4 mm <sup>2</sup>    |
| Conductor cross section stranded min.   | 0.08 mm <sup>2</sup> |
| Conductor cross section stranded max.   | 2.5 mm <sup>2</sup>  |
| Conductor cross section AWG/kcmil min.  | 28                   |
| Conductor cross section AWG/kcmil max   | 12                   |
| Conductor cross section stranded, with ferrule without plastic sleeve min.              | 0.14 mm <sup>2</sup> |
| Conductor cross section stranded, with ferrule without plastic sleeve max.              | 2.5 mm <sup>2</sup>  |
| Conductor cross section stranded, with ferrule with plastic sleeve min.                 | 0.14 mm <sup>2</sup> |
| Conductor cross section stranded, with ferrule with plastic sleeve max.                 | 2.5 mm <sup>2</sup>  |
| 2 conductors with same cross section, stranded, TWIN ferrules with plastic sleeve, max. | 0.5 mm <sup>2</sup>  |
| Type of connection  | Plug connection      |
| Stripping length  | 10 mm                |
| Internal cylindrical gage   | A3                   |

ST 2,5/2P BU Order No.: 3042094

<http://eshop.phoenixcontact.de/phoenix/treeViewClick.do?UID=3042094>
**Certificates / Approvals**


Certification

BV, CB, CSA, CUL, DNV, GL, GOST, LR, UL, VDE-PZI

**Accessories**

| Item            | Designation | Description   |
|-----------------|-------------|---|
| <b>Assembly</b> |             |   |
| 3030721         | ATP-ST 4    | Partition plate, Length: 61 mm, Width: 2 mm, Height: 42 mm, Color: gray |
| 3030417         | D-ST 2,5    | End cover, Length: 48.6 mm, Width: 2.2 mm, Height: 29.1 mm, Color: gray |

**Bridges**

|         |             |  |
|---------|-------------|--|
| 3030161 | FBS 2-5     | Plug-in bridge, Number of positions: 2, Color: red   |
| 3036877 | FBS 2-5 BU  | Plug-in bridge, Number of positions: 2, Color: blue  |
| 3038969 | FBS 2-5 GY  | Plug-in bridge, Number of positions: 2, Color: gray  |
| 3030174 | FBS 3-5     | Plug-in bridge, Number of positions: 3, Color: red   |
| 3036880 | FBS 3-5 BU  | Plug-in bridge, Number of positions: 3, Color: blue  |
| 3038972 | FBS 3-5 GY  | Plug-in bridge, Number of positions: 3, Color: gray  |
| 3030187 | FBS 4-5     | Plug-in bridge, Number of positions: 4, Color: red   |
| 3036893 | FBS 4-5 BU  | Plug-in bridge, Number of positions: 4, Color: blue  |
| 3038985 | FBS 4-5 GY  | Plug-in bridge, Number of positions: 4, Color: gray  |
| 3030190 | FBS 5-5     | Plug-in bridge, Number of positions: 5, Color: red   |
| 3036903 | FBS 5-5 BU  | Plug-in bridge, Number of positions: 5, Color: blue  |
| 3038998 | FBS 5-5 GY  | Plug-in bridge, Number of positions: 5, Color: gray  |
| 3030213 | FBS 10-5    | Plug-in bridge, Number of positions: 10, Color: red  |
| 3036916 | FBS 10-5 BU | Plug-in bridge, Number of positions: 10, Color: blue |
| 3039007 | FBS 10-5 GY | Plug-in bridge, Number of positions: 10, Color: gray |
| 3030226 | FBS 20-5    | Plug-in bridge, Number of positions: 20, Color: red  |
| 3036929 | FBS 20-5 BU | Plug-in bridge, Number of positions: 20, Color: blue |
| 3038671 | FBS 20-5 GY | Plug-in bridge, Number of positions: 20, Color: gray |
| 3038930 | FBS 50-5    | Plug-in bridge, Number of positions: 50, Color: red  |

ST 2,5/2P BU Order No.: 3042094

<http://eshop.phoenixcontact.de/phoenix/treeViewClick.do?UID=3042094>

|         |             |  |
|---------|-------------|--|
| 3032114 | FBS 50-5 BU | Plug-in bridge, Number of positions: 50, Color: blue |
| 3032127 | FBS 50-5 GY | Plug-in bridge, Number of positions: 50, Color: gray |

**Marking**

|         |                         |  |
|---------|-------------------------|--|
| 3040588 | PC                      | Keying star, Length: 3 mm, Width: 3 mm, Height: 6 mm, Color: red   |
| 0800190 | ZB 5 /VT-100:UNBEDRUCKT | Zack strip, unprinted: 10-section, for individual labeling with M-PEN, ZB-T or CMS system, large batch, sufficient for labeling 1000 terminal blocks, color: violet                                  |
| 1050004 | ZB 5 :UNBEDRUCKT        | Zack strip, unprinted, 10-section, for individual labeling with M-PEN, ZB-T or CMS system, pack is sufficient for 100 terminal blocks, for a terminal width of 5.2 mm, color: White                  |
| 1050127 | ZB 5,LGS:1-9            | Zack strip, printed horizontally: 9-section, with the numbers 1 - 9, color: white  |
| 1050017 | ZB 5,LGS:FORTL.ZAHLEN   | Zack marker strip, 10-section, printed horizontally: with the numbers 1 - 10, 11 - 20 and so on up to 491 - 500, color: white  |
| 1050033 | ZB 5,LGS:GLEICHE ZAHLEN | Zack marker strip, printed horizontally: 10-section, with identical numbers 1/1/1, 2/2/2, and so on up to 100, color: white  |
| 1050415 | ZB 5,LGS:L1-N,PE        | Zack strip, printed horizontally, strips with 10 labels, L1, L2, L3, N, PE, L1, L2, L3, N, PE, color: white  |
| 1050020 | ZB 5,QR:FORTL.ZAHLEN    | Zack marker strip, 10-section, printed vertically: with consecutive numbers 1 - 10, 11 - 20, and so on up to 491 - 500, color: white   |
| 5061536 | ZB 5/BU-100:UNBEDRUCKT  | Zack strip, unprinted: 10-section, for individual labeling with M-PEN, ZB-T or CMS system, large batch, sufficient for labeling 1000 terminal blocks, color: blue                                    |
| 5061497 | ZB 5/GN-100:UNBEDRUCKT  | Zack strip, unprinted: 10-section, for individual labeling with M-PEN, ZB-T or CMS system, large batch, sufficient for labeling 1000 terminal blocks, color: green                                   |
| 1050211 | ZB 5/OG,LGS: 10-100     | Zack strip, printed horizontally: 10-section, with the numbers 10/20/30-100, (for decade labeling), color: orange  |
| 5061471 | ZB 5/RD-100:UNBEDRUCKT  | Zack strip, unprinted: 10-section, for individual labeling with M-PEN, ZB-T or CMS system, large batch, sufficient for labeling 1000 terminal blocks, color: red                                     |
| 5060906 | ZB 5/WH-100:UNBEDRUCKT  | Zack strip, unprinted: 10-section, for individual labeling with M-PEN, ZB-T or CMS system, large batch, sufficient for labeling 1000 terminal blocks, for a terminal width of 5.2 mm, color: White   |
| 5061510 | ZB 5/YE-100:UNBEDRUCKT  | Zack strip, unprinted: 10-section, for individual labeling with M-PEN, ZB-T or CMS system, large batch, sufficient for labeling 1000 terminal blocks, color: yellow                                  |
| 1050295 | ZB 5:SO/CMS             | Zack strip, 10-section, divisible, special printing, marking according to customer requirements  |
| 0807180 | ZBFM 5/OG:UNBEDRUCKT    | Zack marker sheet, flat, unprinted: 120-section, 10 strips à 12 markers, sufficient for 120 terminal blocks, for all terminal blocks, pitch 5.2 mm, labeling with M-PEN or CMS system, color: orange |

ST 2,5/2P BU Order No.: 3042094

<http://eshop.phoenixcontact.de/phoenix/treeViewClick.do?UID=3042094>

|         |                      |   |
|---------|----------------------|---|
| 0803595 | ZBFM 5/WH:UNBEDRUCKT | Zack marker sheet, flat, unprinted: 120-section, 10 strips à 12 markers, sufficient for 120 terminal blocks, for all terminal blocks, pitch 5.2 mm, labeling with M-PEN or CMS system, color: white |
| 0803647 | ZBFM 5:SO/CMS        | Special printing, Zack marker sheet, flat, 120-section, divisible, marking according to customer requirements   |

**Plug/Adapter**

|         |       |                            |
|---------|-------|----------------------------|
| 3030925 | PAI-4 | Test adapter, Color: gray  |
| 3030983 | PS-5  | Test adapter, Color: red   |
| 0201647 | RPS   | Reducing plug, Color: gray |

**Tools**

|         |               |   |
|---------|---------------|---|
| 1204517 | SZF 1-0,6X3,5 | Actuation tool, for ST terminal blocks, also suitable for use as a bladed screwdriver, size: 0.6 x 3.5 x 100 mm, 2-component grip, with non-slip grip |
|---------|---------------|---|

**Additional products**

| Item                | Designation    | Description  |
|---------------------|----------------|--|
| <b>Plug/Adapter</b> |                |  |
| 3040258             | SP 2,5/ 1      | Connectors, Type of connection: Spring-cage connection, Number of positions: 1, Cross section: 0.08 mm <sup>2</sup> - 4 mm <sup>2</sup> , AWG 28 - 12, Width: 5.2 mm, Height: 39 mm, Color: gray         |
| 3040698             | SP 2,5/ 1 BU   | Connectors, Type of connection: Spring-cage connection, Number of positions: 1, Cross section: 0.08 mm <sup>2</sup> - 4 mm <sup>2</sup> , AWG 28 - 12, Width: 5.2 mm, Height: 39 mm, Color: blue         |
| 3040708             | SP 2,5/ 1 GNYE | Connectors, Type of connection: Spring-cage connection, Number of positions: 1, Cross section: 0.08 mm <sup>2</sup> - 4 mm <sup>2</sup> , AWG 28 - 12, Width: 5.2 mm, Height: 39 mm, Color: green-yellow |
| 3040261             | SP 2,5/ 2      | Connectors, Type of connection: Spring-cage connection, Number of positions: 2, Cross section: 0.08 mm <sup>2</sup> - 4 mm <sup>2</sup> , AWG 28 - 12, Width: 10.4 mm, Height: 39 mm, Color: gray        |
| 3040274             | SP 2,5/ 3      | Connectors, Type of connection: Spring-cage connection, Number of positions: 3, Cross section: 0.08 mm <sup>2</sup> - 4 mm <sup>2</sup> , AWG 28 - 12, Width: 15.6 mm, Height: 39 mm, Color: gray        |
| 3040287             | SP 2,5/ 4      | Connectors, Type of connection: Spring-cage connection, Number of positions: 4, Cross section: 0.08 mm <sup>2</sup> - 4 mm <sup>2</sup> , AWG 28 - 12, Width: 20.8 mm, Height: 39 mm, Color: gray        |
| 3040290             | SP 2,5/ 5      | Connectors, Type of connection: Spring-cage connection, Number of positions: 5, Cross section: 0.08 mm <sup>2</sup> - 4 mm <sup>2</sup> , AWG 28 - 12, Width: 26 mm, Height: 39 mm, Color: gray          |
| 3040300             | SP 2,5/ 6      | Connectors, Type of connection: Spring-cage connection, Number of positions: 6, Cross section: 0.08 mm <sup>2</sup> - 4 mm <sup>2</sup> , AWG 28 - 12, Width: 31.2 mm, Height: 39 mm, Color: gray        |

ST 2,5/2P BU Order No.: 3042094

<http://eshop.phoenixcontact.de/phoenix/treeViewClick.do?UID=3042094>

|         |                    |  |
|---------|--------------------|--|
| 3040313 | SP 2,5/ 7          | Connectors, Type of connection: Spring-cage connection, Number of positions: 7, Cross section: 0.08 mm <sup>2</sup> - 4 mm <sup>2</sup> , AWG 28 - 12, Width: 36.4 mm, Height: 39 mm, Color: gray        |
| 3040326 | SP 2,5/ 8          | Connectors, Type of connection: Spring-cage connection, Number of positions: 8, Cross section: 0.08 mm <sup>2</sup> - 4 mm <sup>2</sup> , AWG 28 - 12, Width: 41.6 mm, Height: 39 mm, Color: gray        |
| 3040339 | SP 2,5/ 9          | Connectors, Type of connection: Spring-cage connection, Number of positions: 9, Cross section: 0.08 mm <sup>2</sup> - 4 mm <sup>2</sup> , AWG 28 - 12, Width: 46.8 mm, Height: 39 mm, Color: gray        |
| 3040342 | SP 2,5/10          | Connectors, Type of connection: Spring-cage connection, Number of positions: 10, Cross section: 0.08 mm <sup>2</sup> - 4 mm <sup>2</sup> , AWG 28 - 12, Width: 52 mm, Height: 39 mm, Color: gray         |
| 3040355 | SP 2,5/11          | Connectors, Type of connection: Spring-cage connection, Number of positions: 11, Cross section: 0.08 mm <sup>2</sup> - 4 mm <sup>2</sup> , AWG 28 - 12, Width: 57.2 mm, Height: 39 mm, Color: gray       |
| 3040368 | SP 2,5/12          | Connectors, Type of connection: Spring-cage connection, Number of positions: 12, Cross section: 0.08 mm <sup>2</sup> - 4 mm <sup>2</sup> , AWG 28 - 12, Width: 62.4 mm, Height: 39 mm, Color: gray       |
| 3040371 | SP 2,5/13          | Connectors, Type of connection: Spring-cage connection, Number of positions: 13, Cross section: 0.08 mm <sup>2</sup> - 4 mm <sup>2</sup> , AWG 28 - 12, Width: 67.6 mm, Height: 39 mm, Color: gray       |
| 3040384 | SP 2,5/14          | Connectors, Type of connection: Spring-cage connection, Number of positions: 14, Cross section: 0.08 mm <sup>2</sup> - 4 mm <sup>2</sup> , AWG 28 - 12, Width: 72.8 mm, Height: 39 mm, Color: gray       |
| 3040397 | SP 2,5/15          | Connectors, Type of connection: Spring-cage connection, Number of positions: 15, Cross section: 0.08 mm <sup>2</sup> - 4 mm <sup>2</sup> , AWG 28 - 12, Width: 78 mm, Height: 39 mm, Color: gray         |
| 3210619 | SP-H 2,5/ 1        | Connectors, Type of connection: Spring-cage connection, Number of positions: 1, Cross section: 0.08 mm <sup>2</sup> - 4 mm <sup>2</sup> , AWG 28 - 12, Width: 5.2 mm, Height: 39 mm, Color: gray         |
| 3210761 | SP-H 2,5/ 1 BU     | Connectors, Type of connection: Spring-cage connection, Number of positions: 1, Cross section: 0.08 mm <sup>2</sup> - 4 mm <sup>2</sup> , AWG 28 - 12, Width: 5.2 mm, Height: 39 mm, Color: blue         |
| 3210774 | SP-H 2,5/ 1 GNYE   | Connectors, Type of connection: Spring-cage connection, Number of positions: 1, Cross section: 0.08 mm <sup>2</sup> - 4 mm <sup>2</sup> , AWG 28 - 12, Width: 5.2 mm, Height: 39 mm, Color: green-yellow |
| 3210787 | SP-H 2,5/ 1-L      | Connectors, Type of connection: Spring-cage connection, Number of positions: 1, Cross section: 0.08 mm <sup>2</sup> - 4 mm <sup>2</sup> , AWG 28 - 12, Width: 5.2 mm, Height: 39 mm, Color: gray         |
| 3210790 | SP-H 2,5/ 1-L BU   | Connectors, Type of connection: Spring-cage connection, Number of positions: 1, Cross section: 0.08 mm <sup>2</sup> - 4 mm <sup>2</sup> , AWG 28 - 12, Width: 5.2 mm, Height: 39 mm, Color: blue         |
| 3210800 | SP-H 2,5/ 1-L GNYE | Connectors, Type of connection: Spring-cage connection, Number of positions: 1, Cross section: 0.08 mm <sup>2</sup> - 4 mm <sup>2</sup> , AWG 28 - 12, Width: 5.2 mm, Height: 39 mm, Color: green-yellow |
| 3210813 | SP-H 2,5/ 1-M      | Connectors, Type of connection: Spring-cage connection, Number of positions: 1, Cross section: 0.08 mm <sup>2</sup> - 4 mm <sup>2</sup> , AWG 28 - 12, Width: 5.2 mm, Height: 39 mm, Color: gray         |

ST 2,5/2P BU Order No.: 3042094

<http://eshop.phoenixcontact.de/phoenix/treeViewClick.do?UID=3042094>

|         |                    |  |
|---------|--------------------|--|
| 3210826 | SP-H 2,5/ 1-M BU   | Connectors, Type of connection: Spring-cage connection, Number of positions: 1, Cross section: 0.08 mm <sup>2</sup> - 4 mm <sup>2</sup> , AWG 28 - 12, Width: 5.2 mm, Height: 39 mm, Color: blue         |
| 3210839 | SP-H 2,5/ 1-M GNYE | Connectors, Type of connection: Spring-cage connection, Number of positions: 1, Cross section: 0.08 mm <sup>2</sup> - 4 mm <sup>2</sup> , AWG 28 - 12, Width: 5.2 mm, Height: 39 mm, Color: green-yellow |
| 3210842 | SP-H 2,5/ 1-R      | Connectors, Type of connection: Spring-cage connection, Number of positions: 1, Cross section: 0.08 mm <sup>2</sup> - 4 mm <sup>2</sup> , AWG 28 - 12, Width: 5.2 mm, Height: 39 mm, Color: gray         |
| 3210855 | SP-H 2,5/ 1-R BU   | Connectors, Type of connection: Spring-cage connection, Number of positions: 1, Cross section: 0.08 mm <sup>2</sup> - 4 mm <sup>2</sup> , AWG 28 - 12, Width: 5.2 mm, Height: 39 mm, Color: blue         |
| 3210868 | SP-H 2,5/ 1-R GNYE | Connectors, Type of connection: Spring-cage connection, Number of positions: 1, Cross section: 0.08 mm <sup>2</sup> - 4 mm <sup>2</sup> , AWG 28 - 12, Width: 5.2 mm, Height: 39 mm, Color: green-yellow |
| 3210622 | SP-H 2,5/ 2        | Connectors, Type of connection: Spring-cage connection, Number of positions: 2, Cross section: 0.08 mm <sup>2</sup> - 4 mm <sup>2</sup> , AWG 28 - 12, Width: 10.4 mm, Height: 39 mm, Color: gray        |
| 3210635 | SP-H 2,5/ 3        | Connectors, Type of connection: Spring-cage connection, Number of positions: 3, Cross section: 0.08 mm <sup>2</sup> - 4 mm <sup>2</sup> , AWG 28 - 12, Width: 15.6 mm, Height: 39 mm, Color: gray        |
| 3210648 | SP-H 2,5/ 4        | Connectors, Type of connection: Spring-cage connection, Number of positions: 4, Cross section: 0.08 mm <sup>2</sup> - 4 mm <sup>2</sup> , AWG 28 - 12, Width: 20.8 mm, Height: 39 mm, Color: gray        |
| 3210651 | SP-H 2,5/ 5        | Connectors, Type of connection: Spring-cage connection, Number of positions: 5, Cross section: 0.08 mm <sup>2</sup> - 4 mm <sup>2</sup> , AWG 28 - 12, Width: 26 mm, Height: 39 mm, Color: gray          |
| 3210664 | SP-H 2,5/ 6        | Connectors, Type of connection: Spring-cage connection, Number of positions: 6, Cross section: 0.08 mm <sup>2</sup> - 4 mm <sup>2</sup> , AWG 28 - 12, Width: 31.2 mm, Height: 39 mm, Color: gray        |
| 3210677 | SP-H 2,5/ 7        | Connectors, Type of connection: Spring-cage connection, Number of positions: 7, Cross section: 0.08 mm <sup>2</sup> - 4 mm <sup>2</sup> , AWG 28 - 12, Width: 36.4 mm, Height: 39 mm, Color: gray        |
| 3210680 | SP-H 2,5/ 8        | Connectors, Type of connection: Spring-cage connection, Number of positions: 8, Cross section: 0.08 mm <sup>2</sup> - 4 mm <sup>2</sup> , AWG 28 - 12, Width: 41.6 mm, Height: 39 mm, Color: gray        |
| 3210693 | SP-H 2,5/ 9        | Connectors, Type of connection: Spring-cage connection, Number of positions: 9, Cross section: 0.08 mm <sup>2</sup> - 4 mm <sup>2</sup> , AWG 28 - 12, Width: 46.8 mm, Height: 39 mm, Color: gray        |
| 3210703 | SP-H 2,5/10        | Connectors, Type of connection: Spring-cage connection, Number of positions: 10, Cross section: 0.08 mm <sup>2</sup> - 4 mm <sup>2</sup> , AWG 28 - 12, Width: 52 mm, Height: 39 mm, Color: gray         |
| 3210716 | SP-H 2,5/11        | Connectors, Type of connection: Spring-cage connection, Number of positions: 11, Cross section: 0.08 mm <sup>2</sup> - 4 mm <sup>2</sup> , AWG 28 - 12, Width: 57.2 mm, Height: 39 mm, Color: gray       |
| 3210729 | SP-H 2,5/12        | Connectors, Type of connection: Spring-cage connection, Number of positions: 12, Cross section: 0.08 mm <sup>2</sup> - 4 mm <sup>2</sup> , AWG 28 - 12, Width: 62.4 mm, Height: 39 mm, Color: gray       |



ST 2,5/2P BU Order No.: 3042094

<http://eshop.phoenixcontact.de/phoenix/treeViewClick.do?UID=3042094>

|         |                 |  |
|---------|-----------------|--|
| 3210732 | SP-H 2,5/13     | Connectors, Type of connection: Spring-cage connection, Number of positions: 13, Cross section: 0.08 mm <sup>2</sup> - 4 mm <sup>2</sup> , AWG 28 - 12, Width: 67.6 mm, Height: 39 mm, Color: gray       |
| 3210745 | SP-H 2,5/14     | Connectors, Type of connection: Spring-cage connection, Number of positions: 14, Cross section: 0.08 mm <sup>2</sup> - 4 mm <sup>2</sup> , AWG 28 - 12, Width: 72.8 mm, Height: 39 mm, Color: gray       |
| 3210758 | SP-H 2,5/15     | Connectors, Type of connection: Spring-cage connection, Number of positions: 15, Cross section: 0.08 mm <sup>2</sup> - 4 mm <sup>2</sup> , AWG 28 - 12, Width: 78 mm, Height: 39 mm, Color: gray         |
| 3040106 | SPB 2,5/ 1      | Connectors, Type of connection: Spring-cage connection, Number of positions: 1, Cross section: 0.08 mm <sup>2</sup> - 4 mm <sup>2</sup> , AWG 28 - 12, Width: 5.2 mm, Height: 39 mm, Color: gray         |
| 3040724 | SPB 2,5/ 1 BU   | Connectors, Type of connection: Spring-cage connection, Number of positions: 1, Cross section: 0.08 mm <sup>2</sup> - 4 mm <sup>2</sup> , AWG 28 - 12, Width: 5.2 mm, Height: 39 mm, Color: blue         |
| 3040711 | SPB 2,5/ 1 GNYE | Connectors, Type of connection: Spring-cage connection, Number of positions: 1, Cross section: 0.08 mm <sup>2</sup> - 4 mm <sup>2</sup> , AWG 28 - 12, Width: 5.2 mm, Height: 39 mm, Color: green-yellow |
| 3040119 | SPB 2,5/ 2      | Connectors, Type of connection: Spring-cage connection, Number of positions: 2, Cross section: 0.08 mm <sup>2</sup> - 4 mm <sup>2</sup> , AWG 28 - 12, Width: 10.4 mm, Height: 39 mm, Color: gray        |
| 3040122 | SPB 2,5/ 3      | Connectors, Type of connection: Spring-cage connection, Number of positions: 3, Cross section: 0.08 mm <sup>2</sup> - 4 mm <sup>2</sup> , AWG 28 - 12, Width: 15.6 mm, Height: 39 mm, Color: gray        |
| 3040135 | SPB 2,5/ 4      | Connectors, Type of connection: Spring-cage connection, Number of positions: 4, Cross section: 0.08 mm <sup>2</sup> - 4 mm <sup>2</sup> , AWG 28 - 12, Width: 20.8 mm, Height: 39 mm, Color: gray        |
| 3040143 | SPB 2,5/ 5      | Connectors, Type of connection: Spring-cage connection, Number of positions: 5, Cross section: 0.08 mm <sup>2</sup> - 4 mm <sup>2</sup> , AWG 28 - 12, Width: 26 mm, Height: 39 mm, Color: gray          |
| 3040151 | SPB 2,5/ 6      | Connectors, Type of connection: Spring-cage connection, Number of positions: 6, Cross section: 0.08 mm <sup>2</sup> - 4 mm <sup>2</sup> , AWG 28 - 12, Width: 31.2 mm, Height: 39 mm, Color: gray        |
| 3040164 | SPB 2,5/ 7      | Connectors, Type of connection: Spring-cage connection, Number of positions: 7, Cross section: 0.08 mm <sup>2</sup> - 4 mm <sup>2</sup> , AWG 28 - 12, Width: 36.4 mm, Height: 39 mm, Color: gray        |
| 3040177 | SPB 2,5/ 8      | Connectors, Type of connection: Spring-cage connection, Number of positions: 8, Cross section: 0.08 mm <sup>2</sup> - 4 mm <sup>2</sup> , AWG 28 - 12, Width: 41.6 mm, Height: 39 mm, Color: gray        |
| 3040180 | SPB 2,5/ 9      | Connectors, Type of connection: Spring-cage connection, Number of positions: 9, Cross section: 0.08 mm <sup>2</sup> - 4 mm <sup>2</sup> , AWG 28 - 12, Width: 46.8 mm, Height: 39 mm, Color: gray        |
| 3040193 | SPB 2,5/10      | Connectors, Type of connection: Spring-cage connection, Number of positions: 10, Cross section: 0.08 mm <sup>2</sup> - 4 mm <sup>2</sup> , AWG 28 - 12, Width: 52 mm, Height: 39 mm, Color: gray         |
| 3040203 | SPB 2,5/11      | Connectors, Type of connection: Spring-cage connection, Number of positions: 11, Cross section: 0.08 mm <sup>2</sup> - 4 mm <sup>2</sup> , AWG 28 - 12, Width: 57.2 mm, Height: 39 mm, Color: gray       |

ST 2,5/2P BU Order No.: 3042094

<http://eshop.phoenixcontact.de/phoenix/treeViewClick.do?UID=3042094>

|         |                  |  |
|---------|------------------|--|
| 3040216 | SPB 2,5/12       | Connectors, Type of connection: Spring-cage connection, Number of positions: 12, Cross section: 0.08 mm <sup>2</sup> - 4 mm <sup>2</sup> , AWG 28 - 12, Width: 62.4 mm, Height: 39 mm, Color: gray       |
| 3040229 | SPB 2,5/13       | Connectors, Type of connection: Spring-cage connection, Number of positions: 13, Cross section: 0.08 mm <sup>2</sup> - 4 mm <sup>2</sup> , AWG 28 - 12, Width: 67.6 mm, Height: 39 mm, Color: gray       |
| 3040232 | SPB 2,5/14       | Connectors, Type of connection: Spring-cage connection, Number of positions: 14, Cross section: 0.08 mm <sup>2</sup> - 4 mm <sup>2</sup> , AWG 28 - 12, Width: 72.8 mm, Height: 39 mm, Color: gray       |
| 3040245 | SPB 2,5/15       | Connectors, Type of connection: Spring-cage connection, Number of positions: 15, Cross section: 0.08 mm <sup>2</sup> - 4 mm <sup>2</sup> , AWG 28 - 12, Width: 78 mm, Height: 39 mm, Color: gray         |
| 3040407 | SPDB 2,5/ 1      | Connectors, Type of connection: Spring-cage connection, Number of positions: 1, Cross section: 0.08 mm <sup>2</sup> - 4 mm <sup>2</sup> , AWG 28 - 12, Width: 5.2 mm, Height: 39 mm, Color: gray         |
| 3040737 | SPDB 2,5/ 1 BU   | Connectors, Type of connection: Spring-cage connection, Number of positions: 1, Cross section: 0.08 mm <sup>2</sup> - 4 mm <sup>2</sup> , AWG 28 - 12, Width: 5.2 mm, Height: 39 mm, Color: blue         |
| 3040740 | SPDB 2,5/ 1 GNYE | Connectors, Type of connection: Spring-cage connection, Number of positions: 1, Cross section: 0.08 mm <sup>2</sup> - 4 mm <sup>2</sup> , AWG 28 - 12, Width: 5.2 mm, Height: 39 mm, Color: green-yellow |
| 3040410 | SPDB 2,5/ 2      | Connectors, Type of connection: Spring-cage connection, Number of positions: 2, Cross section: 0.08 mm <sup>2</sup> - 4 mm <sup>2</sup> , AWG 28 - 12, Width: 10.4 mm, Height: 39 mm, Color: gray        |
| 3040423 | SPDB 2,5/ 3      | Connectors, Type of connection: Spring-cage connection, Number of positions: 3, Cross section: 0.08 mm <sup>2</sup> - 4 mm <sup>2</sup> , AWG 28 - 12, Width: 15.6 mm, Height: 39 mm, Color: gray        |
| 3040436 | SPDB 2,5/ 4      | Connectors, Type of connection: Spring-cage connection, Number of positions: 4, Cross section: 0.08 mm <sup>2</sup> - 4 mm <sup>2</sup> , AWG 28 - 12, Width: 20.8 mm, Height: 39 mm, Color: gray        |
| 3040449 | SPDB 2,5/ 5      | Connectors, Type of connection: Spring-cage connection, Number of positions: 5, Cross section: 0.08 mm <sup>2</sup> - 4 mm <sup>2</sup> , AWG 28 - 12, Width: 26 mm, Height: 39 mm, Color: gray          |
| 3040452 | SPDB 2,5/ 6      | Connectors, Type of connection: Spring-cage connection, Number of positions: 6, Cross section: 0.08 mm <sup>2</sup> - 4 mm <sup>2</sup> , AWG 28 - 12, Width: 31.2 mm, Height: 39 mm, Color: gray        |
| 3040465 | SPDB 2,5/ 7      | Connectors, Type of connection: Spring-cage connection, Number of positions: 7, Cross section: 0.08 mm <sup>2</sup> - 4 mm <sup>2</sup> , AWG 28 - 12, Width: 36.4 mm, Height: 39 mm, Color: gray        |
| 3040478 | SPDB 2,5/ 8      | Connectors, Type of connection: Spring-cage connection, Number of positions: 8, Cross section: 0.08 mm <sup>2</sup> - 4 mm <sup>2</sup> , AWG 28 - 12, Width: 41.6 mm, Height: 39 mm, Color: gray        |
| 3040481 | SPDB 2,5/ 9      | Connectors, Type of connection: Spring-cage connection, Number of positions: 9, Cross section: 0.08 mm <sup>2</sup> - 4 mm <sup>2</sup> , AWG 28 - 12, Width: 46.8 mm, Height: 39 mm, Color: gray        |
| 3040494 | SPDB 2,5/10      | Connectors, Type of connection: Spring-cage connection, Number of positions: 10, Cross section: 0.08 mm <sup>2</sup> - 4 mm <sup>2</sup> , AWG 28 - 12, Width: 52 mm, Height: 39 mm, Color: gray         |

ST 2,5/2P BU Order No.: 3042094

<http://eshop.phoenixcontact.de/phoenix/treeViewClick.do?UID=3042094>

|         |                   |  |
|---------|-------------------|--|
| 3040504 | SPDB 2,5/11       | Connectors, Type of connection: Spring-cage connection, Number of positions: 11, Cross section: 0.08 mm <sup>2</sup> - 4 mm <sup>2</sup> , AWG 28 - 12, Width: 57.2 mm, Height: 39 mm, Color: gray       |
| 3040517 | SPDB 2,5/12       | Connectors, Type of connection: Spring-cage connection, Number of positions: 12, Cross section: 0.08 mm <sup>2</sup> - 4 mm <sup>2</sup> , AWG 28 - 12, Width: 62.4 mm, Height: 39 mm, Color: gray       |
| 3040520 | SPDB 2,5/13       | Connectors, Type of connection: Spring-cage connection, Number of positions: 13, Cross section: 0.08 mm <sup>2</sup> - 4 mm <sup>2</sup> , AWG 28 - 12, Width: 67.6 mm, Height: 39 mm, Color: gray       |
| 3040533 | SPDB 2,5/14       | Connectors, Type of connection: Spring-cage connection, Number of positions: 14, Cross section: 0.08 mm <sup>2</sup> - 4 mm <sup>2</sup> , AWG 28 - 12, Width: 72.8 mm, Height: 39 mm, Color: gray       |
| 3040546 | SPDB 2,5/15       | Connectors, Type of connection: Spring-cage connection, Number of positions: 15, Cross section: 0.08 mm <sup>2</sup> - 4 mm <sup>2</sup> , AWG 28 - 12, Width: 78 mm, Height: 39 mm, Color: gray         |
| 3041710 | SPV 2,5/ 1        | Connectors, Type of connection: Spring-cage connection, Number of positions: 1, Cross section: 0.08 mm <sup>2</sup> - 4 mm <sup>2</sup> , AWG 28 - 12, Width: 5.2 mm, Height: 34 mm, Color: gray         |
| 3061017 | SPV 2,5/ 1 BU     | Connectors, Type of connection: Spring-cage connection, Number of positions: 1, Cross section: 0.08 mm <sup>2</sup> - 4 mm <sup>2</sup> , AWG 28 - 12, Width: 5.2 mm, Height: 34 mm, Color: blue         |
| 3061020 | SPV 2,5/ 1 GNYE   | Connectors, Type of connection: Spring-cage connection, Number of positions: 1, Cross section: 0.08 mm <sup>2</sup> - 4 mm <sup>2</sup> , AWG 28 - 12, Width: 5.2 mm, Height: 34 mm, Color: green-yellow |
| 3041024 | SPV 2,5/ 1-L      | Connectors, Type of connection: Spring-cage connection, Number of positions: 1, Cross section: 0.08 mm <sup>2</sup> - 4 mm <sup>2</sup> , AWG 28 - 12, Width: 5.2 mm, Height: 34 mm, Color: gray         |
| 3041037 | SPV 2,5/ 1-L BU   | Connectors, Type of connection: Spring-cage connection, Number of positions: 1, Cross section: 0.08 mm <sup>2</sup> - 4 mm <sup>2</sup> , AWG 28 - 12, Width: 5.2 mm, Height: 34 mm, Color: blue         |
| 3041040 | SPV 2,5/ 1-L GNYE | Connectors, Type of connection: Spring-cage connection, Number of positions: 1, Cross section: 0.08 mm <sup>2</sup> - 4 mm <sup>2</sup> , AWG 28 - 12, Width: 5.2 mm, Height: 34 mm, Color: green-yellow |
| 3041053 | SPV 2,5/ 1-M      | Connectors, Type of connection: Spring-cage connection, Number of positions: 1, Cross section: 0.08 mm <sup>2</sup> - 4 mm <sup>2</sup> , AWG 28 - 12, Width: 5.2 mm, Height: 34 mm, Color: gray         |
| 3041066 | SPV 2,5/ 1-M BU   | Connectors, Type of connection: Spring-cage connection, Number of positions: 1, Cross section: 0.08 mm <sup>2</sup> - 4 mm <sup>2</sup> , AWG 28 - 12, Width: 5.2 mm, Height: 34 mm, Color: blue         |
| 3041079 | SPV 2,5/ 1-M GNYE | Connectors, Type of connection: Spring-cage connection, Number of positions: 1, Cross section: 0.08 mm <sup>2</sup> - 4 mm <sup>2</sup> , AWG 28 - 12, Width: 5.2 mm, Height: 34 mm, Color: green-yellow |
| 3041082 | SPV 2,5/ 1-R      | Connectors, Type of connection: Spring-cage connection, Number of positions: 1, Cross section: 0.08 mm <sup>2</sup> - 4 mm <sup>2</sup> , AWG 28 - 12, Width: 5.2 mm, Height: 34 mm, Color: gray         |
| 3041095 | SPV 2,5/ 1-R BU   | Connectors, Type of connection: Spring-cage connection, Number of positions: 1, Cross section: 0.08 mm <sup>2</sup> - 4 mm <sup>2</sup> , AWG 28 - 12, Width: 5.2 mm, Height: 34 mm, Color: blue         |

ST 2,5/2P BU Order No.: 3042094

<http://eshop.phoenixcontact.de/phoenix/treeViewClick.do?UID=3042094>

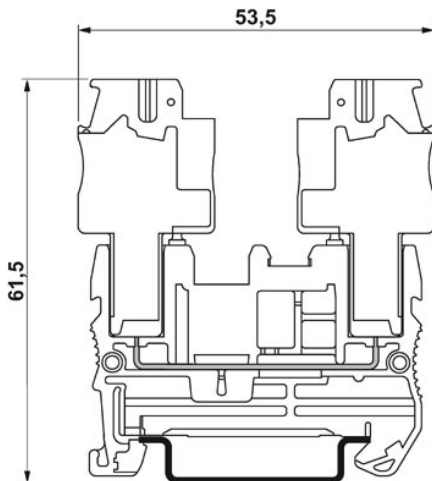
|         |                   |  |
|---------|-------------------|--|
| 3041105 | SPV 2,5/ 1-R GNYE | Connectors, Type of connection: Spring-cage connection, Number of positions: 1, Cross section: 0.08 mm <sup>2</sup> - 4 mm <sup>2</sup> , AWG 28 - 12, Width: 5.2 mm, Height: 34 mm, Color: green-yellow |
| 3041723 | SPV 2,5/ 2        | Connectors, Type of connection: Spring-cage connection, Number of positions: 2, Cross section: 0.08 mm <sup>2</sup> - 4 mm <sup>2</sup> , AWG 28 - 12, Width: 10.4 mm, Height: 34 mm, Color: gray        |
| 3041736 | SPV 2,5/ 3        | Connectors, Type of connection: Spring-cage connection, Number of positions: 3, Cross section: 0.08 mm <sup>2</sup> - 4 mm <sup>2</sup> , AWG 28 - 12, Width: 15.6 mm, Height: 34 mm, Color: gray        |
| 3041749 | SPV 2,5/ 4        | Connectors, Type of connection: Spring-cage connection, Number of positions: 4, Cross section: 0.08 mm <sup>2</sup> - 4 mm <sup>2</sup> , AWG 28 - 12, Width: 20.8 mm, Height: 34 mm, Color: gray        |
| 3041752 | SPV 2,5/ 5        | Connectors, Type of connection: Spring-cage connection, Number of positions: 5, Cross section: 0.08 mm <sup>2</sup> - 4 mm <sup>2</sup> , AWG 28 - 12, Width: 26 mm, Height: 34 mm, Color: gray          |
| 3041765 | SPV 2,5/ 6        | Connectors, Type of connection: Spring-cage connection, Number of positions: 6, Cross section: 0.08 mm <sup>2</sup> - 4 mm <sup>2</sup> , AWG 28 - 12, Width: 31.2 mm, Height: 34 mm, Color: gray        |
| 3041778 | SPV 2,5/ 7        | Connectors, Type of connection: Spring-cage connection, Number of positions: 7, Cross section: 0.08 mm <sup>2</sup> - 4 mm <sup>2</sup> , AWG 28 - 12, Width: 36.4 mm, Height: 34 mm, Color: gray        |
| 3041781 | SPV 2,5/ 8        | Connectors, Type of connection: Spring-cage connection, Number of positions: 8, Cross section: 0.08 mm <sup>2</sup> - 4 mm <sup>2</sup> , AWG 28 - 12, Width: 41.6 mm, Height: 34 mm, Color: gray        |
| 3041794 | SPV 2,5/ 9        | Connectors, Type of connection: Spring-cage connection, Number of positions: 9, Cross section: 0.08 mm <sup>2</sup> - 4 mm <sup>2</sup> , AWG 28 - 12, Width: 46.8 mm, Height: 34 mm, Color: gray        |
| 3041804 | SPV 2,5/10        | Connectors, Type of connection: Spring-cage connection, Number of positions: 10, Cross section: 0.08 mm <sup>2</sup> - 4 mm <sup>2</sup> , AWG 28 - 12, Width: 52 mm, Height: 34 mm, Color: gray         |
| 3041817 | SPV 2,5/11        | Connectors, Type of connection: Spring-cage connection, Number of positions: 11, Cross section: 0.08 mm <sup>2</sup> - 4 mm <sup>2</sup> , AWG 28 - 12, Width: 57.2 mm, Height: 34 mm, Color: gray       |
| 3041820 | SPV 2,5/12        | Connectors, Type of connection: Spring-cage connection, Number of positions: 12, Cross section: 0.08 mm <sup>2</sup> - 4 mm <sup>2</sup> , AWG 28 - 12, Width: 62.4 mm, Height: 34 mm, Color: gray       |
| 3041833 | SPV 2,5/13        | Connectors, Type of connection: Spring-cage connection, Number of positions: 13, Cross section: 0.08 mm <sup>2</sup> - 4 mm <sup>2</sup> , AWG 28 - 12, Width: 67.6 mm, Height: 34 mm, Color: gray       |
| 3041846 | SPV 2,5/14        | Connectors, Type of connection: Spring-cage connection, Number of positions: 14, Cross section: 0.08 mm <sup>2</sup> - 4 mm <sup>2</sup> , AWG 28 - 12, Width: 72.8 mm, Height: 34 mm, Color: gray       |
| 3041859 | SPV 2,5/15        | Connectors, Type of connection: Spring-cage connection, Number of positions: 15, Cross section: 0.08 mm <sup>2</sup> - 4 mm <sup>2</sup> , AWG 28 - 12, Width: 78 mm, Height: 34 mm, Color: gray         |

ST 2,5/2P BU Order No.: 3042094

<http://eshop.phoenixcontact.de/phoenix/treeViewClick.do?UID=3042094>

## Diagrams/Drawings

Dimensioned drawing



Circuit diagram



ST 2,5/2P BU Order No.: 3042094

<http://eshop.phoenixcontact.de/phoenix/treeViewClick.do?UID=3042094>

---

#### Address

PHOENIX CONTACT Deutschland GmbH  
Flachsmarktstr. 8  
32825 Blomberg, Germany  
Phone +49 5235 3 12000  
Fax +49 5235 3 41200  
<http://www.phoenixcontact.de>



© 2011 Phoenix Contact  
Technical modifications reserved;