



Distributor of Phoenix Contact: Excellent Integrated System Limited
Datasheet of 2744241 - D-Sub Connector Receptacle, Female Sockets 9 Position Free
Hanging (In-Line) Terminal Block

Contact us: sales@integrated-circuit.com Website: www.integrated-circuit.com

Excellent Integrated System Limited

Stocking Distributor

Click to view price, real time Inventory, Delivery & Lifecycle Information:

[Phoenix Contact](#)
[2744241](#)

For any questions, you can email us directly:

sales@integrated-circuit.com



Extract from the online catalog

SUBCON-PLUS 9/F

Order No.: 2744241

The figure shows a product version with a different terminal block assignment




<http://eshop.phoenixcontact.de/phoenix/treeViewClick.do?UID=2744241>

D-SUB connector, 9-pos. female connector, two cable entries < 35°, universal type for all systems, pin assignment: 1, 2, 3, 4, 5, 6, 7, 8, 9 to one screw connection terminal block

RS-485 

Commercial data

GTIN (EAN)	 4 017918 415631
sales group	H631
Pack	1 pcs.
Customs tariff	85366990
Catalog page information	Page 554 (IF-2009)

Product notes

WEEE/RoHS-compliant since:
06/01/2006



<http://www.download.phoenixcontact.com>
Please note that the data given here has been taken from the online catalog. For comprehensive information and data, please refer to the user documentation. The General Terms and Conditions of Use apply to Internet downloads.

Technical data

General data

Nominal voltage U_N	60 V AC/DC
Nominal current I_N	1 A
Bus system	RS-485
Insertion/withdrawal cycles	> 200

SUBCON-PLUS 9/F Order No.: 2744241
<http://eshop.phoenixcontact.de/phoenix/treeViewClick.do?UID=2744241>

Max. cable diameter	10 mm
Min. cable diameter	6 mm
SUBCON fixing screws	4-40 UNC
Tightening torque	0.4 Nm
Ambient temperature (operation)	-20 °C ... 75 °C
Housing material	ABS, metal-plated
Pin assignment	all 1:1
Width	16 mm
Height	44 mm
Length	60 mm

Connection data

Connection	D-SUB connection
Number of positions	9
Type of connection	D-SUB socket
Tightening torque	0.4 Nm
Connection	PCB connection
Type of connection	Screw connection
Conductor cross section solid min.	0.14 mm ²
Conductor cross section solid max.	1.5 mm ²
Conductor cross section stranded min.	0.14 mm ²
Conductor cross section stranded max.	1 mm ²
Conductor cross section AWG/kcmil min.	26
Conductor cross section AWG/kcmil max	16
Stripping length	5 mm
Tightening torque	0.4 Nm

Accessories

Item	Designation	Description
2799694	SUBCON-SHORT-SCREW	Optional mounting screw, without knurl for narrow installation conditions, slotted head, length: 40 mm, UNC 4-40 thread

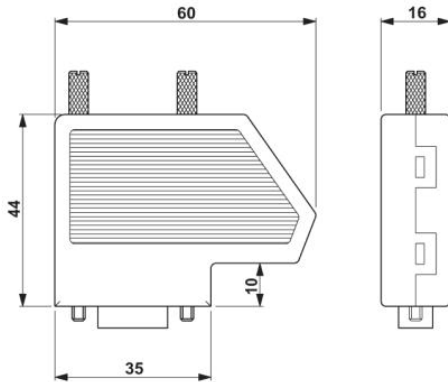
Assembly

SUBCON-PLUS 9/F Order No.: 2744241

<http://eshop.phoenixcontact.de/phoenix/treeViewClick.do?UID=2744241>

Diagrams/Drawings

Dimensioned drawing



SUBCON-PLUS 9/F Order No.: 2744241

<http://eshop.phoenixcontact.de/phoenix/treeViewClick.do?UID=2744241>

Address

PHOENIX CONTACT Deutschland GmbH
Flachsmarktstr. 8
32825 Blomberg, Germany
Phone +49 5235 3 12000
Fax +49 5235 3 41200
<http://www.phoenixcontact.de>



© 2011 Phoenix Contact
Technical modifications reserved;