



**Distributor of Phoenix Contact: Excellent Integrated System Limited**  
Datasheet of 2744403 - D-Sub Connector Receptacle, Female Sockets 9 Position Free  
Hanging (In-Line) Terminal Block

Contact us: [sales@integrated-circuit.com](mailto:sales@integrated-circuit.com) Website: [www.integrated-circuit.com](http://www.integrated-circuit.com)

---

## **Excellent Integrated System Limited**

Stocking Distributor

Click to view price, real time Inventory, Delivery & Lifecycle Information:

[Phoenix Contact](#)  
[2744403](#)

For any questions, you can email us directly:  
[sales@integrated-circuit.com](mailto:sales@integrated-circuit.com)



Extract from the online  
catalog

## SUBCON-PLUS-PROFIB/PG


Order No.: 2744403

SUBCON-PLUS-PROFIB



<http://eshop.phoenixcontact.de/phoenix/treeViewClick.do?UID=2744403>

D-SUB connector, 9-pos., male connector, cable entry < 35°, bus system: PROFIBUS DP up to 12 Mbps with Pg D-SUB female connector for connecting a programming device, termination resistor can be switched on via slide switch, pin assignment: 3, 5, 6, 8; spring-cage connection terminal blocks

Commercial data	
GTIN (EAN)	 4 017918 819453
sales group	H631
Pack	1 pcs.
Customs tariff	85366990
Catalog page information	Page 405 (IF-2002)

### Product notes

WEEE/RoHS-compliant since:  
06/04/2007



<http://www.download.phoenixcontact.com>  
 Please note that the data given here has been taken from the online catalog. For comprehensive information and data, please refer to the user documentation. The General Terms and Conditions of Use apply to Internet downloads.

## Technical data

General data	
Nominal voltage $U_N$	60 V AC/DC
Nominal current $I_N$	1 A

**SUBCON-PLUS-PROFIB/PG** Order No.: 2744403  
<http://eshop.phoenixcontact.de/phoenix/treeViewClick.do?UID=2744403>

Bus system	PROFIBUS DP
Insertion/withdrawal cycles	> 200
Max. cable diameter	8.4 mm
Min. cable diameter	7.6 mm
SUBCON fixing screws	4-40 UNC
Tightening torque	0.4 Nm
Ambient temperature (operation)	-20 °C ... 70 °C
Housing material	ABS, metal-plated
Pin assignment	3, 5, 6, 8
Width	16 mm
Height	49.5 mm
Length	60 mm

**Connection data**

Connection	D-SUB connection
Number of positions	9
Type of connection	D-SUB connector
Connection	PCB connection
Type of connection	Spring-cage connection
Conductor cross section solid min.	0.12 mm <sup>2</sup>
Conductor cross section solid max.	0.5 mm <sup>2</sup>
Conductor cross section AWG/kcmil min.	28
Conductor cross section AWG/kcmil max	20
Stripping length	5 mm
Tightening torque	0.4 Nm
Connection	Programming connection
Number of positions	9
Type of connection	D-SUB socket

**Certificates / Approvals**



Certification CUL, GOST, UL

SUBCON-PLUS-PROFIB/PG Order No.: 2744403  
<http://eshop.phoenixcontact.de/phoenix/treeViewClick.do?UID=2744403>

**Accessories**

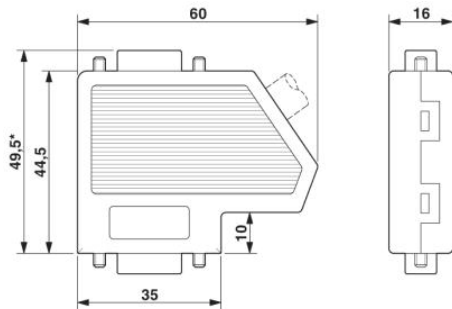
Item	Designation	Description
------	-------------	-------------

**Tools**

2744623	PSM-STRIP-FC/PROFIB	Quick stripping tool for PROFIBUS cable, type Fast Connect
1204384	QUICK WIREFOX 6	Stripping tool for cables with PVC insulation, stripping range: 0.08 to 6 mm <sup>2</sup> , wire cutting up to 6 mm <sup>2</sup> flexible or 4 mm <sup>2</sup> rigid

**Diagrams/Drawings**

Dimensioned drawing



SUBCON-PLUS-PROFIB/PG Order No.: 2744403  
<http://eshop.phoenixcontact.de/phoenix/treeViewClick.do?UID=2744403>

---

#### Address

PHOENIX CONTACT Deutschland GmbH  
Flachsmarktstr. 8  
32825 Blomberg, Germany  
Phone +49 5235 3 12000  
Fax +49 5235 3 41200  
<http://www.phoenixcontact.de>



© 2011 Phoenix Contact  
Technical modifications reserved;