

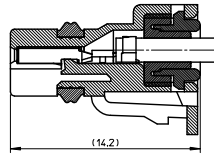
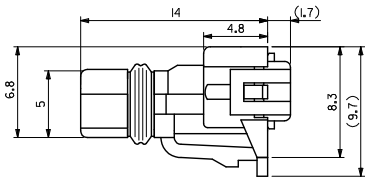
Excellent Integrated System Limited

Stocking Distributor

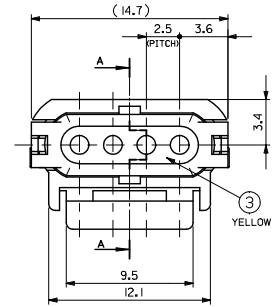
Click to view price, real time Inventory, Delivery & Lifecycle Information:

[Molex Connector Corporation](#)
[0521170410](#)

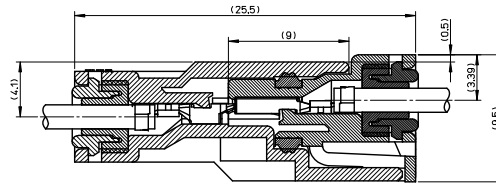
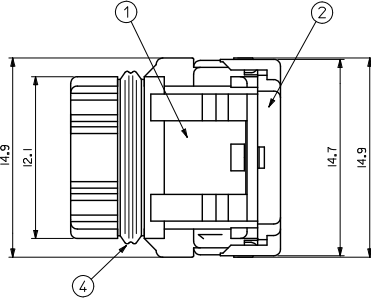
For any questions, you can email us directly:
sales@integrated-circuit.com



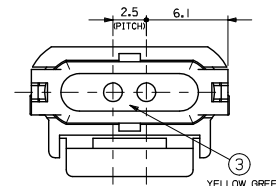
端子装着時の断面 A-A
SECTION A-A TERMINAL ASSEMBLY DRAWING



52117-0410, 52117-0411



完全挿入状態
FULLY MATED CONDITION



52117-0413

注記
NOTE

- 適合端子: 50039-8*00
APPLICABLE TERMINAL: 50039-8*00
- 適合端子: 52116-041*
MATES WITH: 52116-041*
- 製品仕様書: PS-52117-008
PRODUCT SPECIFICATION: PS-52117-008
- 取扱説明書: AS-52117-001
APPLICATION SPECIFICATION: AS-52117-001
- ELV及RoHS適合品
ELV AND RoHS COMPLIANT

■ BLACK	52117-0413	2
■ BLACK	52117-0411	4
□ WHITE	52117-0410	4
色 COLOR	MATERIAL NO.	板板 CKT

シリコンゴム SILICONE	色 YELLOW	RING SEAL	④
シリコンゴム SILICONE	図面番号 SEE DRAWING	ワイヤエンドシール WIRE END SEAL	③
ポリエステル (15%GF) POLYESTER	表示図 SEE CHART	CAP	②
ポリエステル (15%GF) POLYESTER	表示図 SEE CHART	REC. HOUSING	①
材料 MATERIAL	色 COLOR	名称 TITLE	
構成部品 COMPONENTS			

GENERAL TOLERANCES (UNLESS SPECIFIED)	
10 UNDER	±0.2
10 OVER 30 UNDER	±0.25
30 OVER	±0.3
ANGULAR	±3 °
DRAFT WHERE APPLICABLE MUST REMAIN WITHIN DIMENSIONS	

REVISED	DESCRIPTION
EC NO: JTRZ016-0103	2016/04/26
DRW: Y.FUSHIMI	2016/04/26
CHK: D.TAITO	2016/04/26
APP: M.YAMAMOTO	2016/04/27
E1	

DRAWN BY Y. ASHIZAWA	DATE 1988/07/12
CHECKED BY M. SAKANO	DATE 1994/04/12
APPROVED BY M. ENOMOTO	DATE 1994/04/12
MATERIAL NO.	
SEE CHART	

SCALE 5:1	DESIGN UNITS METRIC	THIRD ANGLE PROJECTION
TITLE 2.5 WATERPROOF CONN. REC. HSG ASSY W/POSITIVE LOCK		
DOCUMENT NO. SD-52117-002		
SHEET NO. 1 OF 1		